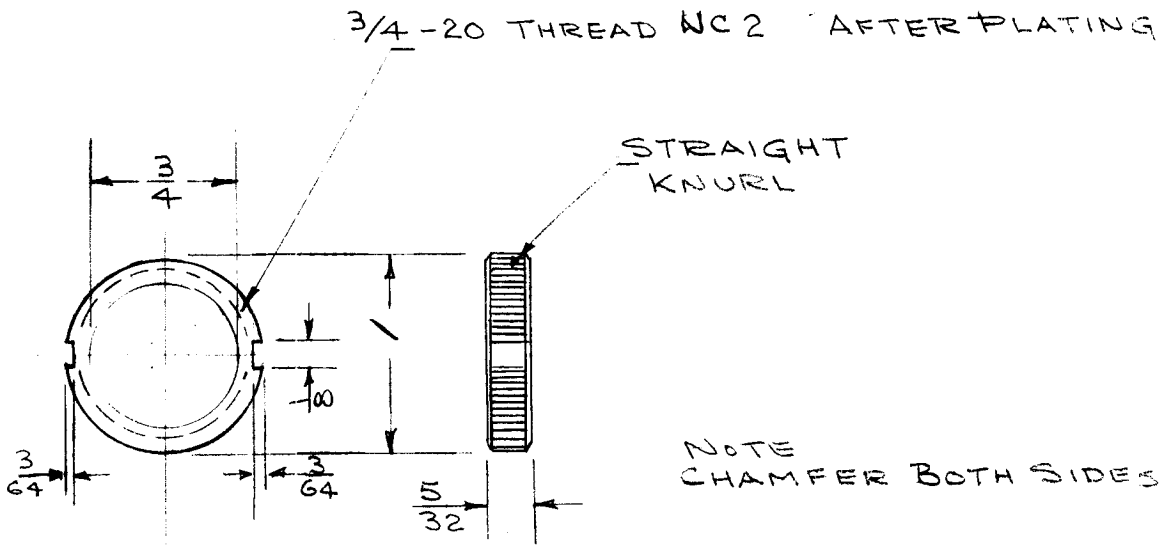


REQ. PER UNIT	USED ON			NT-125	A
	MODEL	ASS'Y. NO.	DATE		
1		JJ-161			
1		JJ-162			



FINISH ~  
SILVER PLATE  
LIGHT RHODIUM

ISSUE	ITEM	CHANGED FROM	DATE	CH. NO.	DRAFTS	CHECKER	ENG. APP.	REQ.	ITEM	PART NO.	DESCRIPTION	SYMBOL	
											THE TECHNICAL MATERIEL CORP. MAMARONECK. NEW YORK	NUT, KNURLED	
A	1	LIGHT RHODIUM ADDED TO FINISH	4-10-61	4621	11/67	<i>J. H. ...</i>	<i>...</i>			BRASS			
TOLERANCES			SCALE: S-401-70-(3325-12)										
DEC. DIM. ± FRAC. DIM. ± ANGULAR DIM. ±			MAXIMUM ALLOWABLE TOLERANCES HAVE BEEN DETERMINED AND ANY DEVIATIONS WILL BE CAUSE FOR REJECTION. REMOVE ALL BURRS AND SHARP EDGES										
			TYPE & TEMPER		HEAT TREAT. SPEC.		DRAWN		CHECKED		FINAL APPROVAL		
			SEE NOTE						<i>...</i>		NT-125 A		
			FINISH & SPEC. NO.		ELEC. DES. APP.		MECH. DES. APP.						