

IF IT IS FOUND DESIRABLE TO CHANGE ANY TOLERANCE OR OTHER DETAIL SPECIFIED ON THIS DRAWING NOTIFY THE PURCHASER PROMPTLY.

# STANDARD DRAWING

NT-112

MAXIMUM ALLOWABLE TOLERANCES HAVE BEEN DETERMINED AND DEVIATIONS WILL BE CAUSE FOR REJECTION. REMOVE ALL BURRS AND SHARP EDGES

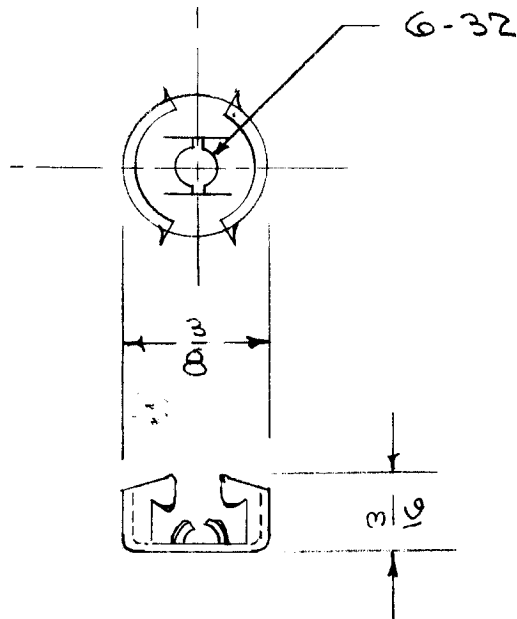
USED ON

MODEL


PROJECT NO.

ASS'Y. NO.

DATE



REF: TINNEMAN PRODUCTS CO. #C6711-632-24

REQ.	ITEM	PART NO.	DESCRIPTION	SYMBOL
		.017	THE TECHNICAL MATERIEL CORP. MAMARONECK. NEW YORK	
		STOCK SIZE		
		STEEL	NUT, SPEED ROUND TYPE	
		MATERIAL		
		SPRING	C.D.D. 12-8-54 P.L.K. 1-28-55	
		TYPE & TEMPER		
		HEAT TREATED	DRAWN	ELEC. DES. APP.
		HEAT TREAT. SPEC.	 12/7/64 FINAL APPROVAL	
		CADMIUM PLATE .0002		
		FINISH & SPEC. NO.		NT-112

ISSUE	ITEM	CHANGED FROM	DATE	CN. NO.	DRAFTS	CHECKER	ENG. APP.
TOLERANCES			SCALE				
ALL OTHERS	DEC. DIM. ± FRAC. DIM. ± ANGULAR DIM. ±	DRILL, PUNCH, COMMERCIAL STOCK SIZES AND MANUFACTURERS TOLERANCES ARE NOT INCLUDED.					