

IF IT IS FOUND DESIRABLE TO CHANGE ANY TOLERANCE OR OTHER DETAIL SPECIFIED ON THIS DRAWING NOTIFY THE PURCHASER PROMPTLY.

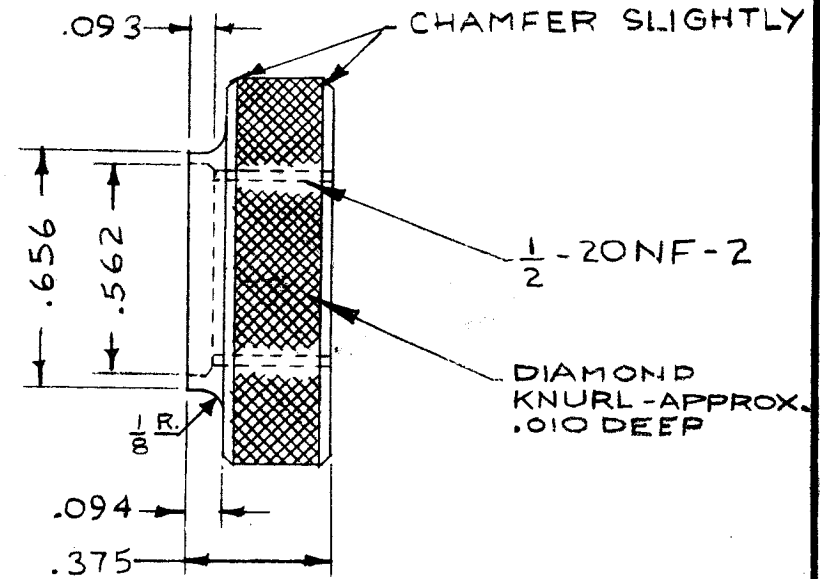
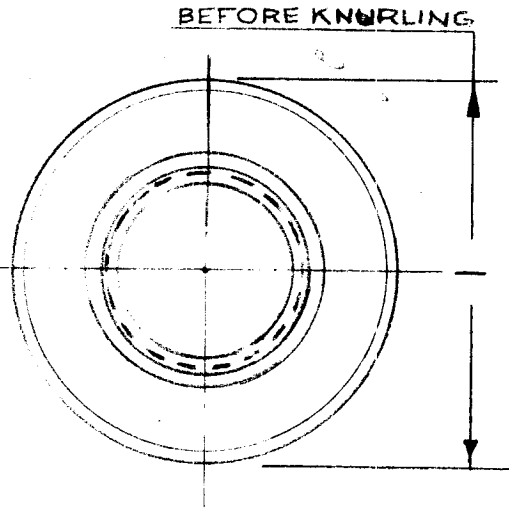
RELEASED

NT-107 \emptyset

MAXIMUM ALLOWABLE TOLERANCES HAVE BEEN DETERMINED AND DEVIATIONS WILL BE CAUSE FOR REJECTION. REMOVE ALL BURRS AND SHARP EDGES

USED ON

MODEL	PROJECT NO.	ASS'Y. NO.	DATE
R-8	168	A-290	12-2-52
R-10	168	A-290	12-2-52
R-12	168	A-290	12-2-52



REQ.	ITEM	PART NO.	DESCRIPTION	SYMBOL
		1" DIA.	THE TECHNICAL MATERIEL CORP. MAMARONECK, NEW YORK	
		STOCK SIZE		
		ALUMINUM	KNURLED NUT	
		MATERIAL		
		11S-T3		
		TYPE & TEMPER.	16 12-2-52	
		HEAT TREAT. SPEC.	DRAWN	ELEC. DES. APP. MECH. DES. APP.
		(S-120) BLACK ANODIZE	12-18-52	9/26/53
		FINISH & SPEC. NO.	CHECKED	FINAL APPROVAL

\emptyset	ORIGINAL RELEASE	9/26/53					
ISSUE	ITEM	CHANGED FROM	DATE	CN. NO.	DRAFTS	CHECKER	ENG. APP.
TOLERANCES			SCALE 2" TO 1"				
ALL OTHERS	DEC. DIM. $\pm .005$ FRAC. DIM. $\pm 1/64$ ANGULAR DIM. \pm		DRILL, PUNCH, COMMERCIAL STOCK SIZES AND MANUFACTURERS TOLERANCES ARE NOT INCLUDED.				

NT-107 \emptyset