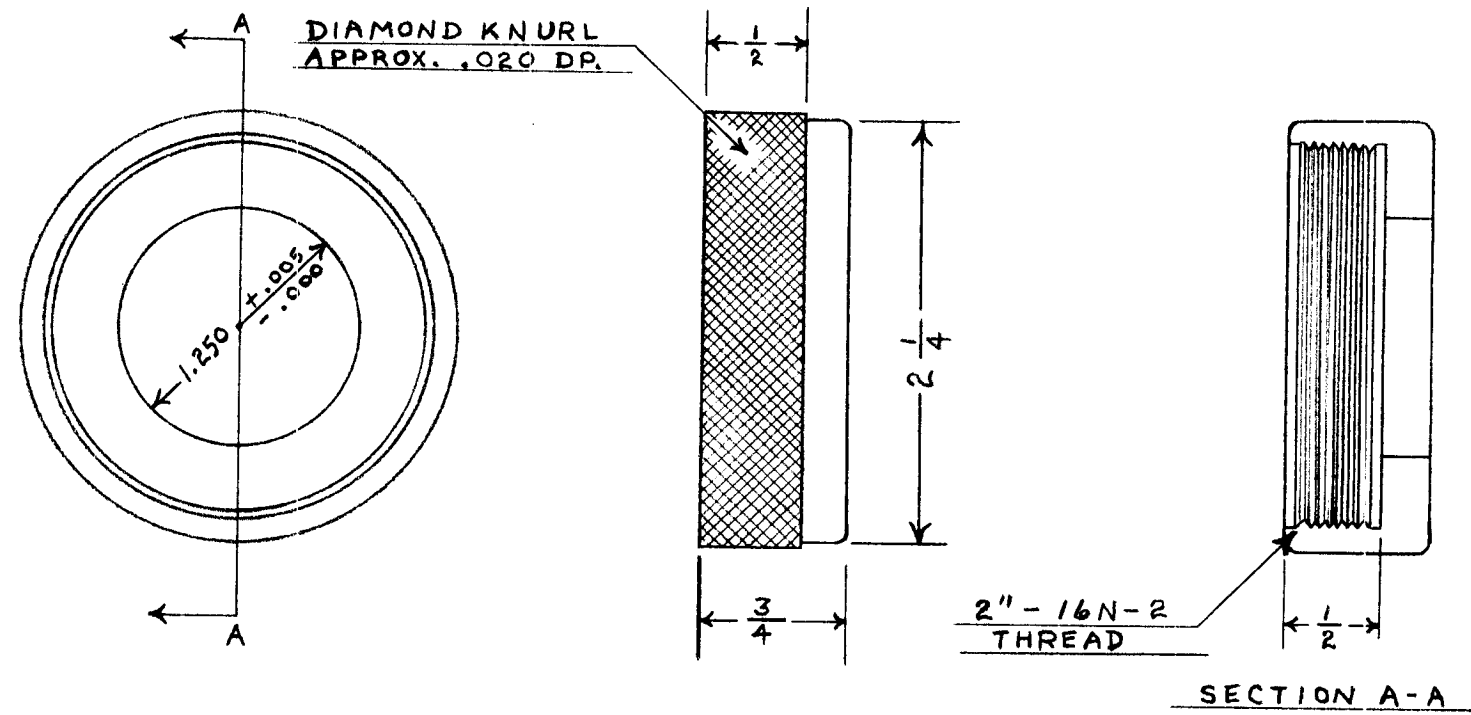


IF IT IS FOUND DESIRABLE TO CHANGE ANY TOLERANCE OR OTHER DETAIL SPECIFIED ON THIS DRAWING NOTIFY THE PURCHASER PROMPTLY.

NT-105

MAXIMUM ALLOWABLE TOLERANCES HAVE BEEN DETERMINED AND DEVIATIONS WILL BE CAUSE FOR REJECTION. REMOVE ALL BURRS AND SHARP EDGES

TWR-115		USED ON		
MODEL	PROJECT NO.	ASS'Y. NO.	DATE	



REQ.	ITEM	PART NO.	DESCRIPTION	SYMBOL
		2 1/4 DIA.	TMC (Canada) LIMITED OTTAWA ONTARIO	
		STOCK SIZE		
		ALUMINUM	KNURLED NUT	
		MATERIAL	TAPE WINDING	
		11S-T3	Dr 6/5/55	
		TYPE & TEMPER	DRAWN	ELEC. DES. APP. MECH. DES. APP.
		—H—		
		HEAT TREAT. SPEC.	CHECKED	FINAL APPROVAL
		CAUSTIC DIP S-101		
		FINISH & SPEC. NO.		NT-105

ISSUE	ITEM	CHANGED FROM	DATE	CN. NO.	DRAFTS	CHECKER	ENG. APP.
TOLERANCES		SCALE FULL SIZE					
ALL OTHERS	DEC. DIM. ± FRAC. DIM. ± 1/64 ANGULAR DIM. ±	DRILL, PUNCH, COMMERCIAL STOCK SIZES AND MANUFACTURERS TOLERANCES ARE NOT INCLUDED.					