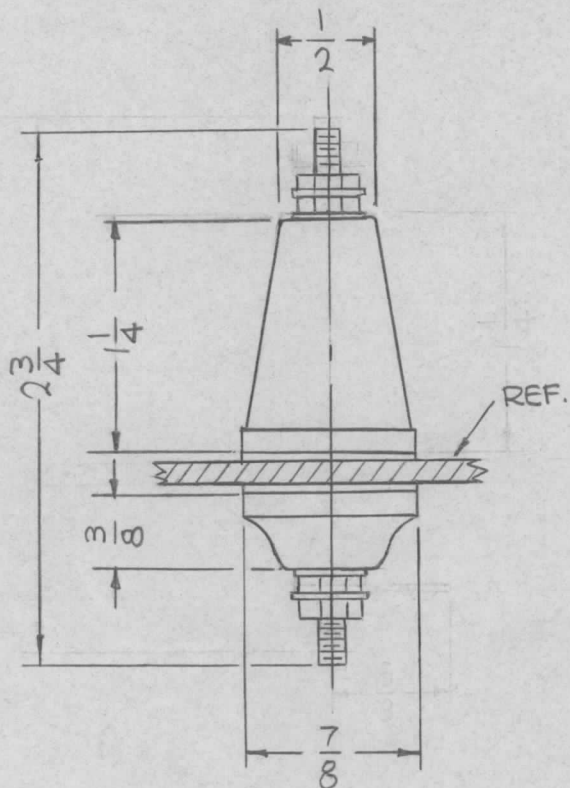


REQ. PER UNIT	USED ON		NS137 \emptyset
	MODEL	ASS'Y. NO.	
2	VCCA-1		11-10-65



HARDWARE TO BE SUPPLIED BY MFG.

- 1 10-24 ROD
 - 4 NUTS
 - 2 LOCK WASHERS
 - 2 CORK WASHERS
 - 2 CORK WASHERS
 - 4 NUTS
 - 1 SOLDER LOL
- BRASS, NICKEL PLATED

REQ.	ITEM	PART NO.	F. BUDETTI DESCRIPTION			SYMBOL		
			THE TECHNICAL MATERIEL CORP. MAMARONECK. NEW YORK					
			STOCK SIZE					
\emptyset	ORIGINAL RELEASE	11-19-65	\emptyset			INSULATOR, FEEDTHRU, CERAMIC		
X1	DRAWING WAS NS 137-1	11-18-65	X1					
SYM	DESCRIPTION	DATE	CH. NO.	DRAFTS	CHECKER	ENG. APP.		
UNLESS OTHERWISE SPECIFIED DIMENSIONS ARE IN INCHES AND INCLUDE CHEMICALLY APPLIED OR PLATED FINISHES		SCALE	1:1					
DECIMALS .X \pm .05 .XX \pm .01 .XXX \pm .005	TOLERANCES	FRACTIONS \pm 1/64 ANGLES \pm 0° 30'	CODE C	S401-20 (#4125)				
				TYPE & TEMPER	HEAT TREAT. SPEC.	DRAWN	CHECKED	FINAL APPROVAL
								NS137 \emptyset
				FINISH & SPEC. NO.		ELEC. DES. APP.	MECH. DES. APP.	

M/I J. D.