

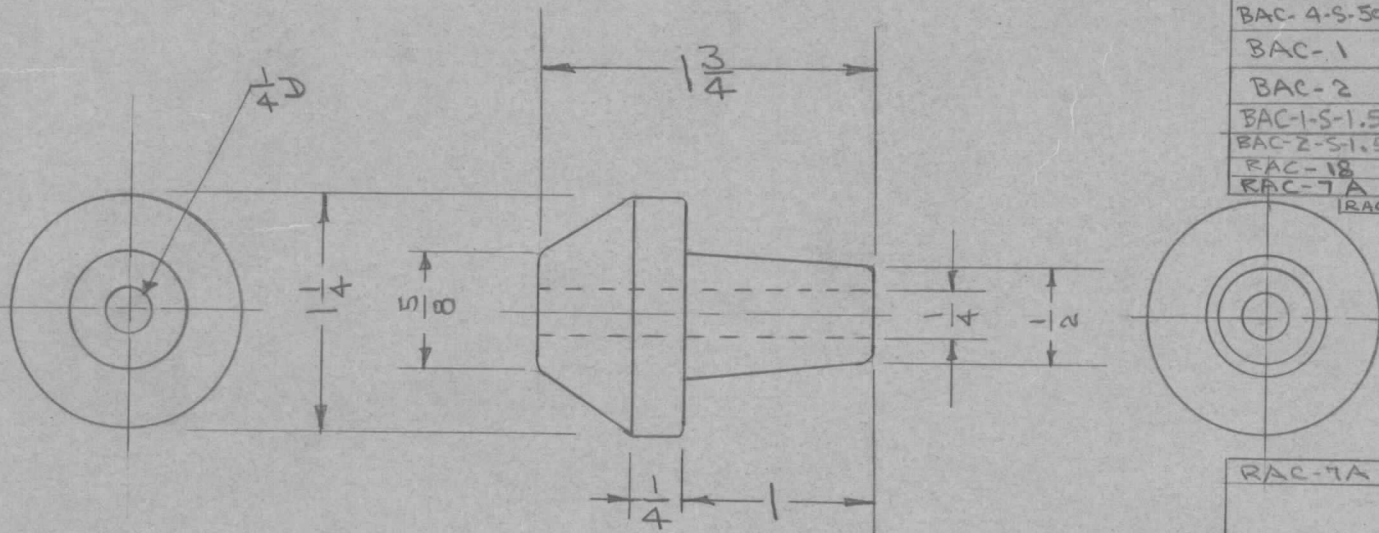
IF IT IS FOUND DESIRABLE TO CHANGE ANY TOLERANCE OR OTHER DETAIL SPECIFIED ON THIS DRAWING NOTIFY THE PURCHASER PROMPTLY.

MAXIMUM ALLOWABLE TOLERANCES HAVE BEEN DETERMINED AND DEVIATIONS WILL BE CAUSE FOR REJECTION. REMOVE ALL BURRS AND SHARP EDGES

NS-101 B

USED ON

MODEL	PROJECT NO.	ASS'Y. NO.	DATE
RAC	112	A-101	7-7-52
BAC-1-S-20	108	A-106	7-9-52
BAC-2-S-20	108	A-107	7-9-52
BAC-3-S-20	108	A-108	7-9-52
BAC-4-S-20	108	A-109	7-9-52
BAC-3-S-500	153	A-234	9-6-52
BAC-4-S-500	153	A-233	9-6-52
BAC-1	157	A-189	10-17-52
BAC-2	157	A-188	10-17-52
BAC-1-S-1.5	230	A-525	9-15-53
BAC-2-S-1.5	230	A-526	9-16-53
RAC-18	450	A-1137	12-2-55
RAC-7A		A-1354	10-30-56
RAC-3		A-1443	10-13-57



RAC-7A 3-14-56

DIMENSIONS FOR REF. ONLY

REF: BIRNBACH INSULATOR CO. NO: 4175

REQ.	ITEM	PART NO.	DESCRIPTION	SYMBOL
			THE TECHNICAL MATERIEL CORP.	
		STOCK SIZE	MAMARONECK, NEW YORK	
		PORCELAIN	INSULATOR (INSIDE)	
		MATERIAL	WEIGHT PER PC.	
			TYPE & TEMPER	
			HEAT TREAT. SPEC.	
			FINISH & SPEC. NO.	

ISSUE	ITEM	CHANGED FROM	DATE	CN. NO.	DRAFTS	CHECKER	ENG. APP.
B	1	RAC-7A WAS RAC-7	3/16/56	2	OGS	JAR	AJT
A	1	REDRAWN - DIM. CHANGED	3/24/53	1	C.D.D.	JAR	OGS

TOLERANCES		SCALE
ALL OTHERS	DEC. DIM. ± FRAC. DIM. ± ANGULAR DIM. ±	DRILL, PUNCH, COMMERCIAL STOCK SIZES AND MANUFACTURERS TOLERANCES ARE NOT INCLUDED.

C.D.D. 3-24-53
DRAWN
ELEC. DES. APP.
MECH. DES. APP.
CHECKED
FINAL APPROVAL

NS-101 B