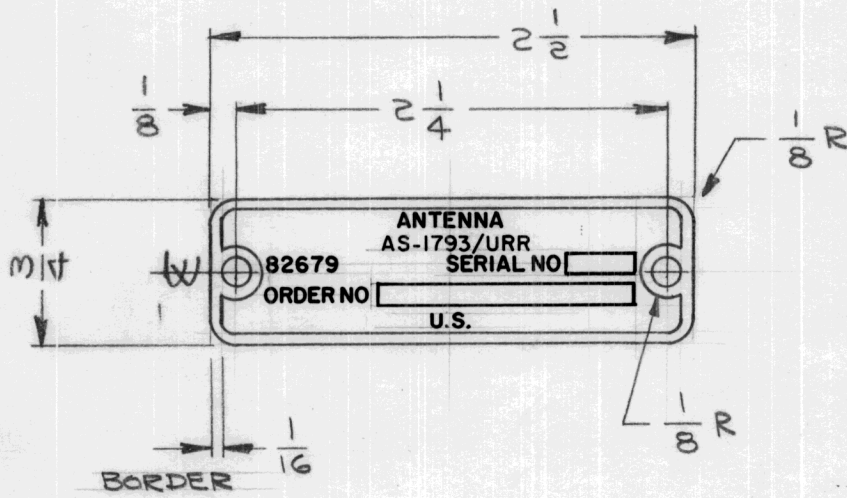


REQ. PER UNIT	USED ON			NP738	Ø
	MODEL	ASS'Y. NO.	DATE		
1	LFRA-1		12-29-64		



FINISH: REVERSE ETCH, ANODIZE ON LUSTERLESS BLACK BACKGROUND (TYPE 37038) PER FED STD 595. COLORLESS VARNISH: PER MIL-V-6894. MIN. LETTER SIZE 3/64" HIGH. ORDER & SERIAL NUMBER WILL BE STEEL STAMPED BY TMC. NAMEPLATE TO BE IN ACCORDANCE WITH MIL STD 130 & AMENDS, & MIL-M-13231 13231 & AMENDS (REF: SIGNAL CORPS.)

SERIAL BLOCK: 1/8 x 3/8
 ORDER BLOCK: 1/8 x 1-3/8
 2HOLES 1/8 DIA.

REQ. UNIT	ITEM	PART NO.	DESCRIPTION				SYMBOL
Ø	ORIGINAL RELEASE FOR PRODUCTION	1-8-65	Ø	MR			THE TECHNICAL MATERIEL CORP. MAMARONECK, NEW YORK NAMEPLATE, IDENTIFICATION
XI	SUB TITLE WAS AT- /URR ON PICTORIAL	1-6-65	XI	P.S.			
X	EXPER. RELEASE	12-29-64	X				
SYM	DESCRIPTION	DATE	CH. NO.	DRAFTS	CHECKER	ENG. APP.	
UNLESS OTHERWISE SPECIFIED DIMENSIONS ARE IN INCHES AND INCLUDE CHEMICALLY APPLIED OR PLATED FINISHES		SCALE	1:1				
DECIMALS .X ± .05 .XX ± .01 .XXX ± .005		FRACTIONS ± 1/64 ANGLES ± 0° 30'		CODE A		TOLERANCES	
		5052-H32		DRAWN	CHECKED	FINAL APPROVAL	
		SEE NOTES					
		FINISH & SPEC. NO.	ELEC. DES. APP.	MECH. DES. APP.			
							NP738 Ø