

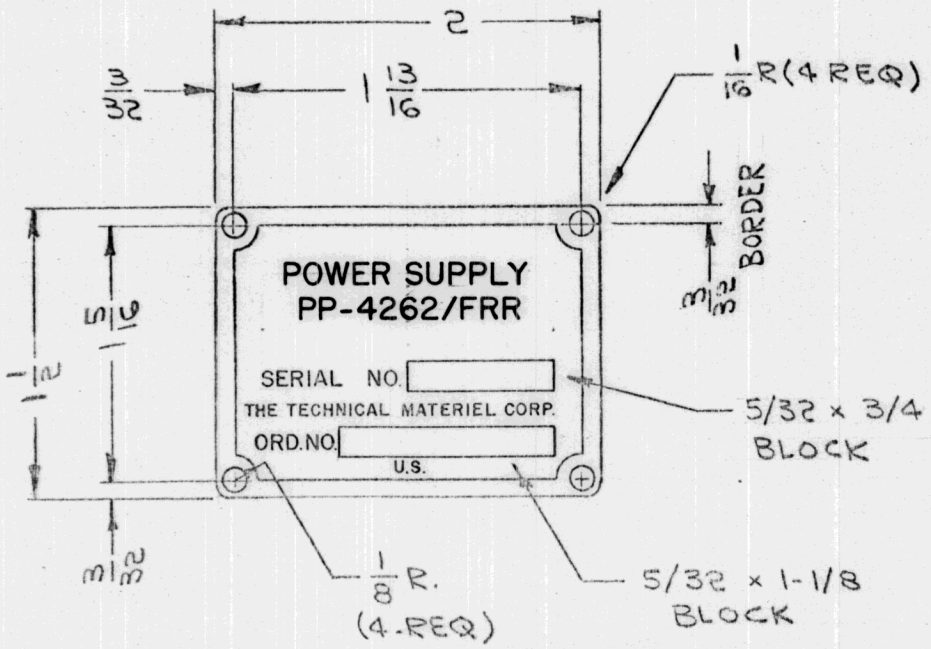
REQ. PER UNIT	USED ON			NP668	Ø
	MODEL	ASS'Y. NO.	DATE		
1	MPS-1		8-21-64		

FINISH: REVERSE ETCH ANODIZE ON LUSTER-LESS BLACK BACKGROUND (TYPE 37038) PER FED-STD-595. COLORLESS VARNISH PER MIL-V-6894.

MIN. LETTER SIZE - 3/64" HIGH

ORDER AND SERIAL NUMBERS TO BE STEEL STAMPED BY TMC.

NAMEPLATE TO BE IN ACCORDANCE WITH MIL STD-130 AND MIL-M-13231 AND AMENDS.



4 HOLES - 1/8 DIA.

REQ.	ITEM	PART NO.				DESCRIPTION			SYMBOL		
Ø		.032 THK				THE TECHNICAL MATERIEL CORP.			Ø		
		STOCK SIZE				MAMARONECK, NEW YORK					
X	ORIGINAL RELEASE FOR PRODUCTION	9.15.64	Ø	9F		NAMEPLATE, IDENTIFICATION					
	EXPER. RELEASE	8.21.64	X	9F							
SYM	DESCRIPTION	DATE	CH. NO.	DRAFTS	CHECKER	ENG. APP.					
	UNLESS OTHERWISE SPECIFIED DIMENSIONS ARE IN INCHES AND INCLUDE CHEMICALLY APPLIED OR PLATED FINISHES	SCALE				1:1					
	DECIMALS .X ± .05 .XX ± .01 .XXX ± .005	FRACTIONS ± 1/64 ANGLES ± 0° 30'		TOLERANCES A							
		5052-H32		—		DRAWN		CHECKED		FINAL APPROVAL	
		TYPE & TEMPER		HEAT TREAT. SPEC.							
		SEE NOTE									
		FINISH & SPEC. NO.		ELEC. DES. APP.		MECH. DES. APP.		NP668		Ø	