

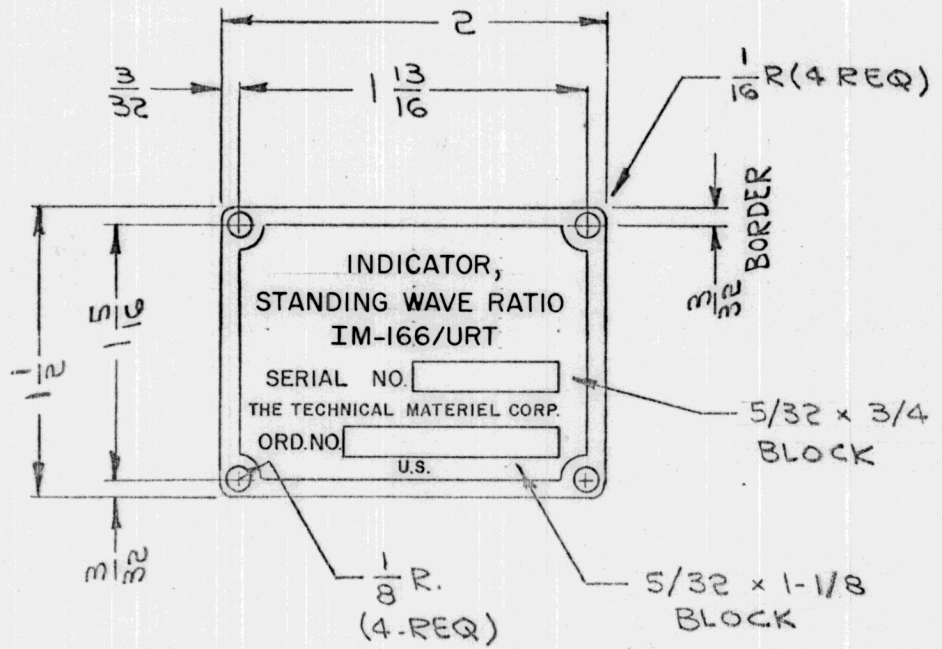
REQ. PER UNIT	USED ON			NP661	Ø
	MODEL	ASS'Y. NO.	DATE		
1	SWR-1K		8-21-64		

FINISH: REVERSE ETCH ANODIZE ON LUSTER-LESS BLACK BACKGROUND (TYPE 37038) PER FED-STD-595. COLORLESS VARNISH PER MIL-V-6894.

MIN. LETTER SIZE-3/64" HIGH

ORDER AND SERIAL NUMBERS TO BE STEEL STAMPED BY TMC.

NAMEPLATE TO BE IN ACCORDANCE WITH MIL STD-130 AND MIL-M-13231 AND AMENDS.



4 HOLES- 1/8 DIA.

SYM	DESCRIPTION	DATE	CH. NO.	DRAFTS	CHECKER	ENG. APP.	REQ. ITEM	PART NO.	DESCRIPTION	SYMBOL		
Ø	ORIGINAL RELEASE FOR PRODUCTION	9.15.64	Ø	92			.032 THK		THE TECHNICAL MATERIEL CORP.			
X	EXPER. RELEASE	8.21.64	X	4 Jan			STOCK SIZE		MAMARONECK, NEW YORK			
							ALUMINUM		NAMEPLATE, IDENTIFICATION			
							MATERIAL					
	UNLESS OTHERWISE SPECIFIED DIMENSIONS ARE IN INCHES AND INCLUDE CHEMICALLY APPLIED OR PLATED FINISHES	SCALE	1:1					5052-H32		Ø		
	DECIMALS .X ± .05 .XX ± .01 .XXX ± .005	FRACTIONS ± 1/64 ANGLES ± 0° 30'	CODE	A				TYPE & TEMPER	HEAT TREAT. SPEC.	DRAWN	CHECKED	FINAL APPROVAL
	TOLERANCES						SEE NOTE					
							FINISH & SPEC. NO.		ELEC. DES. APP.	MECH. DES. APP.	NP661	