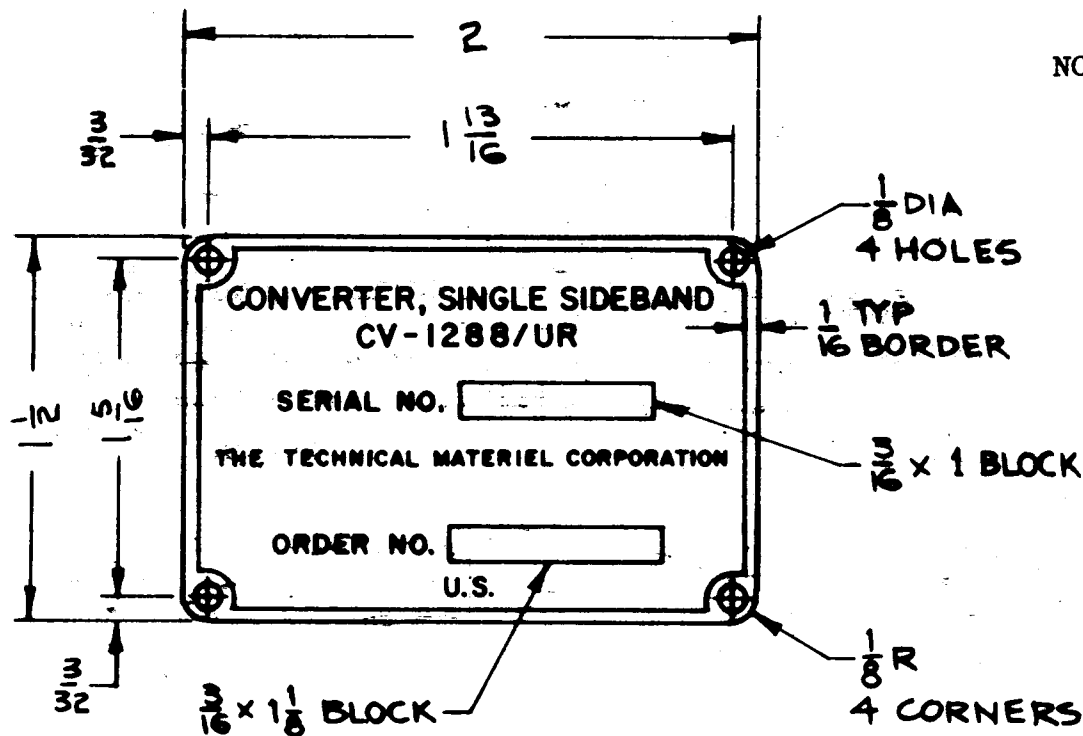


DRAWN BY	USED ON			NP-581	A
	MODEL	ASSY. NO.	DATE		
	585-1		8-6-63		



NOTE:

FINISH: REVERSE ETCH, ANODIZED ON LUSTERLESS BLACK BACKGROUND (TYPE 37038) PER FED. STD. NO. 595. COLORLESS VARNISH PER MIL-V-6894.

TYPE FACE: SPARTAN MEDIUM. SIZE TO FIT SPACE AND LAYOUT. MINIMUM LETTER SIZE - 3/64 IN. HIGH.

APPLICABLE ORDER AND SERIAL NUMBER WILL BE STEEL STAMPED BY TMC.

NAMEPLATE TO BE IN ACCORDANCE WITH MIL-STD-130 AND MIL-M-13231A. (REF. SIGNAL CORPS)

REQ. ITEM	PART NO.	DESCRIPTION	SYMBOL								
	0.032 THK	THE TECHNICAL MATERIEL CORP. MAMARONECK, NEW YORK	NAMEPLATE, IDENTIFICATION								
	STOCK SEE										
A	MAM'K, N.Y. DELETED ON PICTORIAL	ALUMINUM									
SYM	DESCRIPTION	DATE	CH. NO.	DRAFTS	CHECKER	ENG. APP.	MATERIAL				
UNLESS OTHERWISE SPECIFIED DIMENSIONS ARE IN INCHES AND INCLUDE CHEMICALLY APPLIED OR PLATED FINISHES							SCALE	NONE			
DECIMALS	TOLERANCES	FRACTIONS	CODE	5052-H32		TYPE & TEMPER	HEAT TREAT. SPEC.	DRAWN	CHECKED	FINAL APPROVAL	
.X ± .05	± 1/64	± 1/64		SEE NOTES							
.XX ± .01	ANGLES	± 0° 30'		FINISH & SPEC. NO.							
.XXX ± .005											
								ENG. DES. APP.	MECH. DES. APP.	NP-581 A	