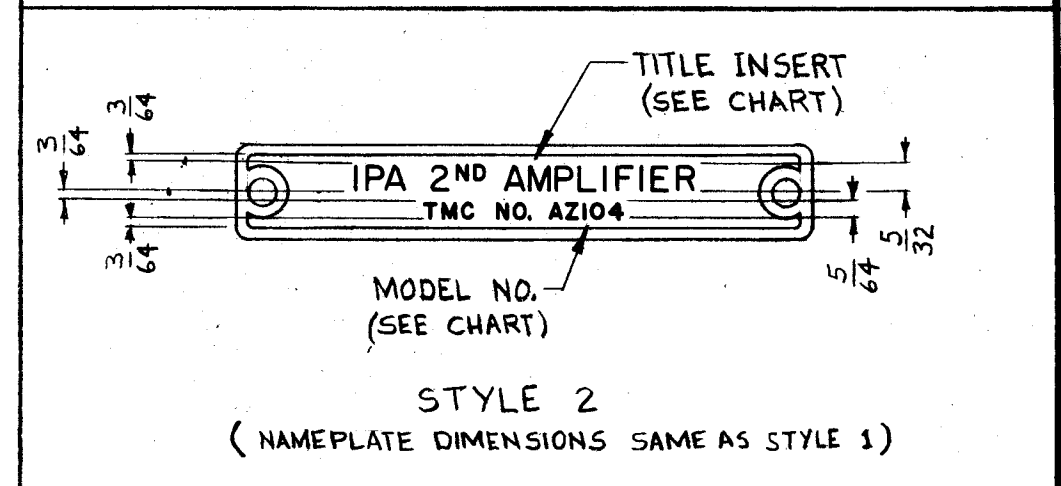
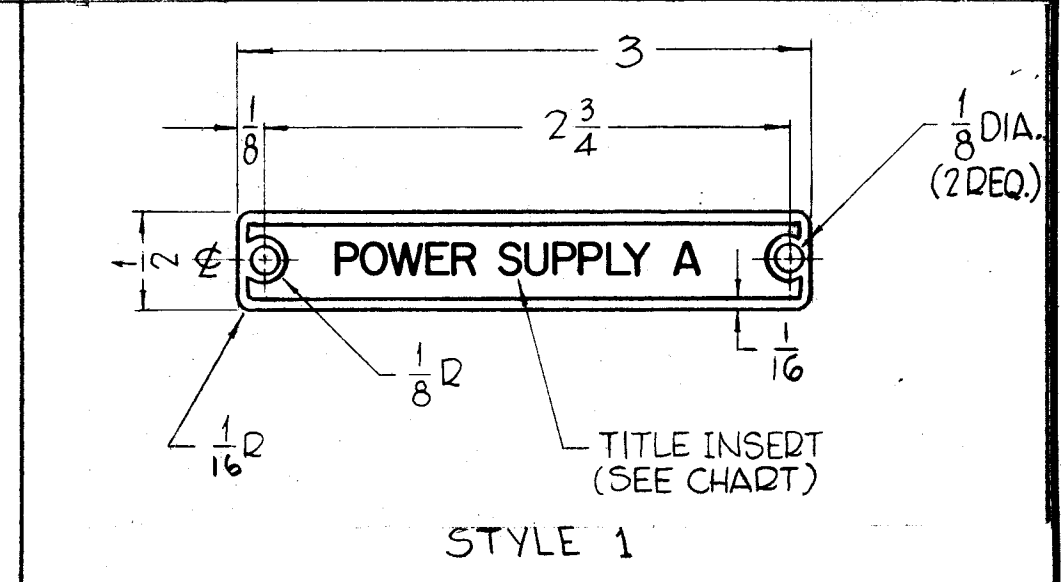


| TMC PART No. | TITLE INSERT | HEIGHT OF LETTER | STYLE | MODEL |
|--------------|--------------------|------------------|-------|-------|
| NP537-1 | POWER SUPPLY A | 3/16 | 1 | |
| -2 | POWER SUPPLY B | | | |
| -3 | RELAY PANEL A | | | |
| -4 | RELAY PANEL B | | | |
| -5 | BIAS SUPPLY A | | | |
| -6 | BIAS SUPPLY B | | | |
| -7 | H.V. RECTIFIER A | | | |
| -8 | H.V. RECTIFIER B | | | |
| -9 | CROWBAR A | | | |
| -10 | CROWBAR B | 3/16 | 1 | |
| -11 | IPA 2nd AMPLIFIER | SEE DETAIL | 2 | AZ105 |
| -12 | IPA TUNE AMPLIFIER | | | AZ106 |
| -13 | IPA LOAD AMPLIFIER | | | AZ107 |
| -14 | PA TUNE AMPLIFIER | | | AZ109 |
| -15 | PA LOAD AMPLIFIER | | | AZ108 |
| -16 | 2ND AMPLIFIER | | | AZ110 |
| -17 | PA TUNE AMPLIFIER | | | AZ112 |
| NP537-18 | PA LOAD AMPLIFIER | SEE DETAIL | 2 | AZ111 |

| SYM | DESCRIPTION | REVISIONS | | | | |
|-----|--|-----------|------------|--------|------|------|
| | | DATE | E.M.N. NO. | DRAFT | CHKD | APPD |
| B | REDRAWN FROM # 1 SIZE; STYLE & MODEL COL. ADD. TO CHART; STYLE 2 ADD. TO PICT. | 4-6-65 | 13838 | 2.2 | J.L. | JB |
| C | 1/16 DIM. ADDED TO STYLE 1 | 6-23-65 | 14307 | DVV. | JCS | JCS |
| D | ON TMC P/No. CHART, TITLE INSERT & MODEL UPDATED (-16, 17, 18) | 7-5-66 | 16486 | G.D.L. | JCS | JCS |

NP 537 D



FINISH NOTE:
 REVERSE ETCH, ANODIZE ON LUSTERLESS BLACK BACKGROUND. (TYPE 37038) PER FEDERAL STANDARD NO. 595, COLORLESS VARNISH PER MIL-V-6894.

NOTES

| GPT-200K | | |
|---|---------------|------------|
| Q'TY./UNIT | MODEL USED ON | ASS'Y. NO. |
| SCALE | CODE | |
| THE CONTENTS OF THIS DRAWING ARE THE EXCLUSIVE PROPERTY OF THE TECHNICAL MATERIEL CORP. ITS UNAUTHORIZED USE OR REPRODUCTION IN WHOLE OR IN PART IS STRICTLY FORBIDDEN. | | |

| REQ'D. | ITEM | PART NUMBER | DESCRIPTION | SYMBOL |
|---|------|------------------------------|-------------|----------------|
| LIST OF MATERIAL | | | | |
| MATERIAL | | THE TECHNICAL MATERIEL CORP. | | |
| .032 THK. ALUMINUM | | MAMARONECK, NEW YORK | | |
| FINISH | | TITLE | | |
| SEE FINISH NOTE | | NAMEPLATE IDENTIFICATION | | |
| UNLESS OTHERWISE SPECIFIED DIMENSIONS ARE IN INCHES AND INCLUDE CHEMICALLY APPLIED OR PLATED FINISHES | | DRAWN | DATE | FINAL APPROVAL |
| | | J.P. [Signature] | 7/6/65 | JCS |
| | | CHECKED | DATE | |
| | | | | |
| | | ELECT. DES. | DATE | |
| | | | | |
| | | MECH. DES. | DATE | |
| | | | | |
| | | SHEET | | REV. LTR. |
| | | NP537 | | D |