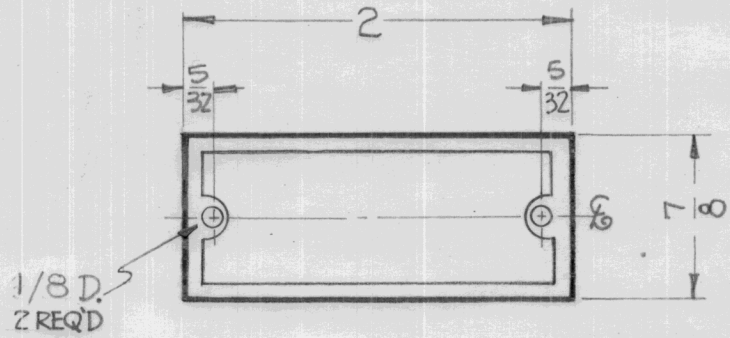


REQ. PIER UNIT	USED ON			NP-354 A
	MODEL	ASS'Y. NO.	DATE	
			9-20-60	

MANUFACTURED BY  
TMC (CANADA) LTD  
OTTAWA, ONTARIO  
CANADA



NOTE ~ ALL LETTERING APPROX. TO SCALE.

REQ.	ITEM	PART NO.	DESCRIPTION				SYMBOL
		032	THE TECHNICAL MATERIEL CORP.				
		STOCK SIZE	MAMARONECK, NEW YORK				
A	1	ALUMINUM	NAMEPLATE, IDENTIFICATION				
		MATERIAL					
		250					
ISSUE	ITEM	CHANGED FROM	DATE	CH. NO.	DRAFTS	CHECKER	ENG. APP.
			10-4-62	7291	gs	Jde	
TOLERANCES			SCALE: Full				
DEC. DIM. ± FRAC. DIM. ± ANGULAR DIM. ±			MAXIMUM ALLOWABLE TOLERANCES HAVE BEEN DETERMINED AND ANY DEVIATIONS WILL BE CAUSE FOR REJECTION. REMOVE ALL BURRS AND SHARP EDGES				
		TYPE & TEMPER	HEATTREAT. SPEC.		DRAWN	CHECKED	FINAL APPROVAL
		BLACK MATTE BACKGROUND & CLEAR LACQUER					
		FINISH & SPEC. NO.		ELEC. DES. APP	MECH. DES. APP		
					NP-354 A		