

PERFORMANCE CHARACTERISTIC	FREQUENCY RANGE
	1 mc
INPUT:	
VOLTAGE TO OSCILLATOR (REGULATED TO WITHIN 2%)	24 TO 30 VDC
VOLTAGE TO OVEN (REGULATED TO WITHIN 2%)	24 TO 30 VDC
INPUT POWER OVEN AND OSCILLATOR	20 WATTS MAXIMUM
OUTPUT:	
VOLTS ACROSS 75 OHMS	1 V RMS
HARMONIC DISTORTION	10%
STABILITY: $\Delta f/f$ (MAXIMUM) VERSUS:	
INPUT VOLTAGE CHANGE OF 2%	1×10^{-9}
LOAD RESISTANCE CHANGE OF $\pm 10\%$	1×10^{-9}
AMBIENT TEMPERATURE CHANGE -0 TO $+ 55^{\circ}\text{C}$	2×10^{-9}
VIBRATION: 5 TO 55 CPS, 0.10" D.A.	5×10^{-9}
SHOCK: 5G FOR 8 MS.	4×10^{-9}
AT TIME OF SHIPMENT, PER 24 HOURS	1×10^{-9}
AGING MAXIMUM PER MONTH	2×10^{-8}
FREQUENCY ADJUST:	
TRIM RANGE INTERNAL TRIMMER	25×10^{-8}
$\Delta f/f$ BETWEEN 3.2V \leq 5.8V (NOM. FREQUENCY SHOULD BE AT 4.5V)	20×10^{-8} MIN.

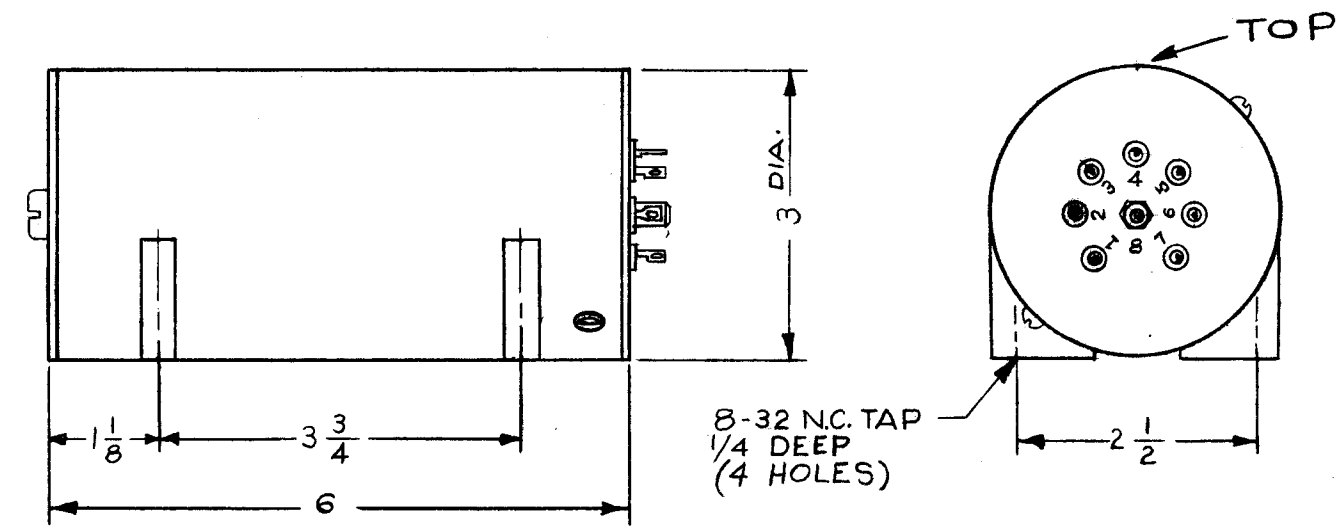
SYM	DESCRIPTION	REVISIONS				
		DATE	E.M.N. NO.	DRAFT	CHKD	APPD
X	EXPERIMENTAL RELEASE	5-7-64	X	A.M.		
\emptyset	ORIGINAL RELEASE FOR PRODUCTION	6/25/64	\emptyset	A.M.		
A	ON SPECS. TERMINAL CONNECTIONS REVISED ON PICT. TERM. CONN. & VENDOR MOD. DECALS ADD. ON BOTTOM 2 SCREWS DELETED.	9-2-64	12282	hB	@	K
B	ON FREQ. ADJUST: "* $\Delta f/f$ BETW. 3.2V..." WAS "VARICAP NOMINAL AT 5.5V $\Delta f/f$ /VOLT, 4×10^{-8} "	9-28-64	12385	hB	@	hB
C	NOTE & ASTERISKED DATE DELETED; MARKING RELOCATED; OUTPUT WAS 50 μ	3-22-65	13676	hB	hB	hB

NF113

SPECIFICATIONS

CALIBRATION - $\pm 1 \times 10^{-9}$
 TRIMMER- INTERNAL VARIABLE CAPACITOR AND EXTERNAL VARICAP CONTROL.
 TERMINATION: SOLDER TERMINALS AND RF CONNECTOR.
 SEAL: HERMETIC
 FINISH: GRAY
 CONNECTOR: TMC JJ211
 MATING CONNECTOR PL204
 TERMINAL CONNECTIONS
 TERM 1-THERMISTOR GND TERM 5- VARICAP-
 TERM 2-OSC. +12VDC TERM 6- THERMISTOR
 TERM 3-OVEN +12VDC TERM 7- OVEN OSC. +12VDC
 TERM 4-VARICAP. + TERM 8- RF OUTPUT

TMC P/N AND DECALS TO BE ON TOP OF UNIT.



TERM. CONN. 1. 2.	DECALS	VEND. MOD. PART ___ FREQ. ___ S/N ___
-------------------------	--------	--

USE-GND ONLY

NOTES

Q'TY./UNIT	MODEL USED ON	ASS'Y. NO.
	CSS-2	
SCALE	CODE	
	C	S401-96 (JKTS-1000)

THE CONTENTS OF THIS DRAWING ARE THE EXCLUSIVE PROPERTY OF THE TECHNICAL MATERIEL CORP. ITS UNAUTHORIZED USE OR REPRODUCTION IN WHOLE OR IN PART IS STRICTLY FORBIDDEN.

REQ'D.	ITEM	PART NUMBER	DESCRIPTION	SYMBOL
M. GELLMAN LIST OF MATERIAL				
MATERIAL		THE TECHNICAL MATERIEL CORP. MAMARONECK, NEW YORK		
FINISH		TITLE OSCILLATOR, RF FREQUENCY STANDARD IMC		
UNLESS OTHERWISE SPECIFIED DIMENSIONS ARE IN INCHES AND INCLUDE CHEMICALLY APPLIED OR PLATED FINISHES		DRAWN A. MARINO	DATE 5-7-64	FINAL APPROVAL DATE
DECIMALS .X \pm .05 .XX \pm .01 .XXX \pm .005		CHECKED @	DATE 5-19-64	
FRACTIONS $\pm 1/64$ ANGLES $\pm 0^{\circ} 30'$		ELECT. DES. MECH. DES.	DATE 6-29-64	
SHEET				REV. LTR.

NF113

C