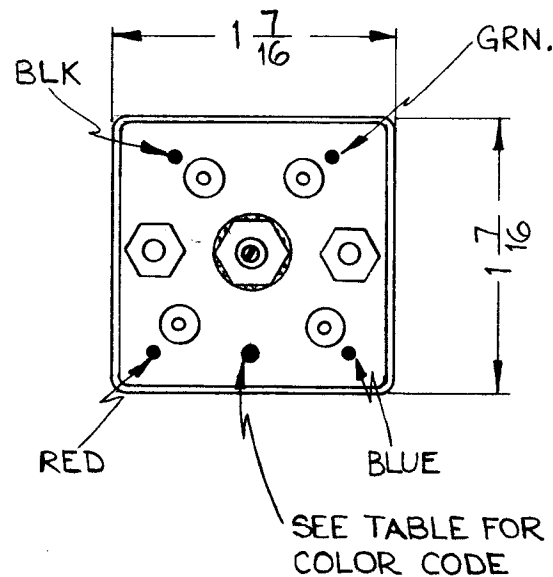
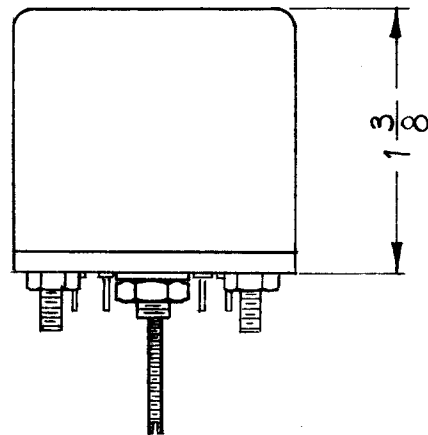


C  
NF-110

THE CONTENTS OF THIS DRAWING ARE THE EXCLUSIVE PROPERTY OF THE TECHNICAL MATERIEL CORP. ITS UNAUTHORIZED USE OR REPRODUCTION IN WHOLE OR IN PART IS STRICTLY FORBIDDEN.

TMC PART NO.	FUNCTION	OPER. FREQ.	ELECTRICAL SPEC. (FOR REF ONLY)					USED ON	BASE COLOR CODE
			NOM. INPUT IMPEDANCE	NOM. OUTPUT IMPEDANCE	BANDWIDTH	INSERTION LOSS	SYMBOL		
NF-110-705	FILTER BANDPASS	705 KC	25 K	50 Ω	25 KC	4 DB	Z5003	AFC-2A	ORANGE
NF-110-2000	FILTER BANDPASS	2000 KC	20 K	50 Ω	60 KC	4 DB	Z5003	AFC-3	BLACK
NF-110-350	FILTER BANDPASS	350 KC	5.3K W/OUTPUT TERMINATED	50 Ω	62 KC	4 DB	Z5003	AFC-8	ORN/BLK.



MECHANICAL SPEC ~  
CASE ~ STEEL  
CASE FINISH ~  
S371 - DEGREASER.  
S114 - ZINC CHROMATE PRIMER.  
S115 - SMOOTH GREY ENAMEL.

**NOTICE TO PERSONS RECEIVING THIS DRAWING**  
THE TECHNICAL MATERIEL CORPORATION claims proprietary right in the material disclosed hereon. This drawing is issued in confidence for engineering information only and may not be reproduced or used to manufacture anything shown hereon without permission from THE TECHNICAL MATERIEL CORPORATION to the user. This drawing is loaned for mutual assistance and is subject to recall at any time.

Property of:  
THE TECHNICAL MATERIEL CORPORATION  
MAMARONECK, NEW YORK

~ NOTE ~  
FOR SPARE PARTS EACH FILTER SHALL BE TESTED IN APPROPRIATE AFC AND ACCEPTANCE STAMP AFFIXED.

C	SPARE PARTS NOTE ADDED	7/20/67	18410	LFT		
B	LINE NF-110-350 ADDED	12/2/65	5434	R/V		
A	ADDED BASE COLOR CODE	5-28-63	9156			
SYM	DESCRIPTION	DATE	CH. NO.	DRAFTS	CHECKER	ENG. APP.
UNLESS OTHERWISE SPECIFIED:		SCALE: Do Not Scale (4A-2424).				
DIMENSIONS ARE IN INCHES		MAXIMUM ALLOWABLE TOLERANCES HAVE BEEN DETERMINED AND ANY DEVIATIONS WILL BE CAUSE FOR REJECTION.				
TOLERANCES ON FRACTIONS ± 1/64		DECIMALS ± .005				
ANGLES ± 1/2°		REMOVE ALL BURRS AND SHARP EDGES				

REQ. PER UNIT	MODEL	SECTION	ASS'Y. NO.	DATE
				9-26-62
USED ON				

REQ.	ITEM	PART NO.	W. WESCHLER DESCRIPTION	SYMBOL
			THE TECHNICAL MATERIEL CORP. MAMARONECK, NEW YORK	
			STOCK SIZE	
			FILTER BANDPASS	
			MATERIAL	
			# 3	
			TYPE & TEMPER	
			HEAT TREAT. SPEC.	
			DRAWN	
			CHECKED	
			FINAL APPROVAL	
			FINISH & SPEC. NO.	
			ELEC. DES. APP.	
			MECH. DES. APP.	
			NF-110	C