

NF-108

THE CONTENTS OF THIS DRAWING ARE THE EXCLUSIVE PROPERTY OF THE TECHNICAL MATERIEL CORP. ITS UNAUTHORIZED USE OR REPRODUCTION IN WHOLE OR IN PART IS STRICTLY FORBIDDEN.

TMC PART NO.	FUNCTION	OPER. FREQ.	ELECTRICAL SPEC. (FOR REF ONLY)				BASE COLOR CODE
			IMPEDANCE NOM (OHMS)	BANDWIDTH	SYMBOL	USED ON	
NF-108-705	2 <sup>ND</sup> PLUG-IN IF	705 KC	70 K $\Omega$	10 KC	Z5001	AFC-2, 2A	BLUE
NF-108-2000	2 <sup>ND</sup> PLUG-IN IF	2000 KC	70 K $\Omega$	34 KC	Z5001	AFC-3	GREEN
NF-108-350	2 <sup>ND</sup> PLUG IN IF	350 KC	110 K $\Omega$	9.5 KC	Z5001	AFC-8	ORANGE/GREEN

NOTICE TO PERSONS RECEIVING THIS DRAWING

THE TECHNICAL MATERIEL CORPORATION claims proprietary right in the material disclosed hereon. This drawing is issued in confidence for engineering information only and may not be reproduced or used to manufacture anything shown hereon without permission from THE TECHNICAL MATERIEL CORPORATION to the user. This drawing is loaned for mutual assistance and is subject to recall at any time.

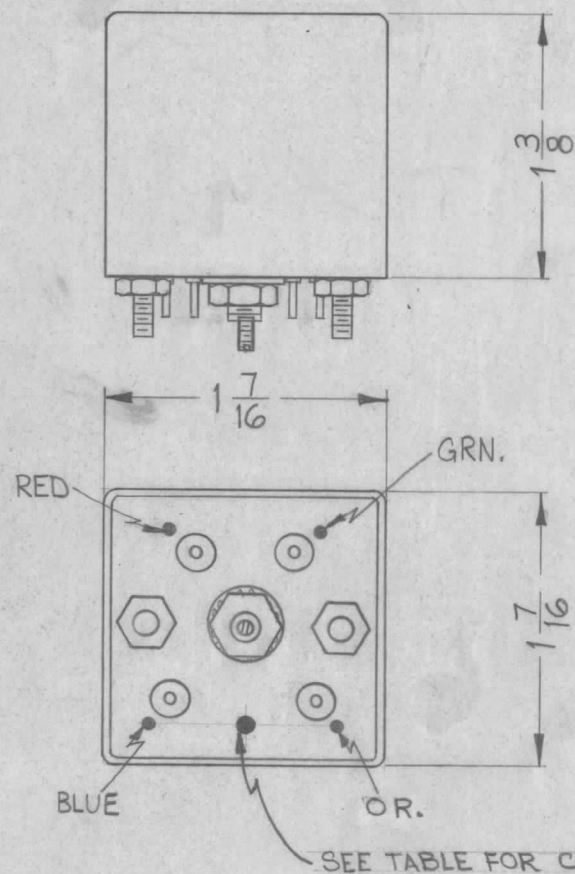
Property of:  
THE TECHNICAL MATERIEL CORPORATION  
MAMARONECK, NEW YORK

MECHANICAL SPEC -

CASE ~ STEEL  
CASE FINISH ~ S115 SMOOTH GREY ENAMEL.

~ NOTE ~

FOR SPARE PARTS EACH FILTER SHALL BE TESTED IN APPROPRIATE AFC AND ACCEPTANCE TEST STAMP AFFIXED.



NOTICE TO PERSONS RECEIVING THIS DRAWING

THE TECHNICAL MATERIEL CORPORATION claims proprietary right in the material disclosed hereon. This drawing is issued in confidence for engineering information only and may not be reproduced or used to manufacture anything shown hereon without permission from THE TECHNICAL MATERIEL CORPORATION to the user. This drawing is loaned for mutual assistance and is subject to recall at any time.

Property of:  
THE TECHNICAL MATERIEL CORPORATION  
MAMARONECK, NEW YORK

SYM	DESCRIPTION	DATE	CH. NO.	DRAFTS	CHECKER	ENG. APP.
D	SPARE PARTS NOTE ADDED	7/20/67	18410	W.H.		
C	NF-108-350 ADDED	12/22/65	5434	R.V.		
B	BASE COLOR CODE ADDED	5/28/63	9184	E		
A	SCHEMATIC DELETED; CHART REVISED NOMENCLATURE DELETED; TITLE WAS NETWORK FREQ NF-108-2000 ADDED TO CHART	2-26-62	6272	G.S.		

UNLESS OTHERWISE SPECIFIED:		SCALE: (2A-2244)	
DIMENSIONS ARE IN INCHES		MAXIMUM ALLOWABLE TOLERANCES HAVE BEEN DETERMINED AND ANY DEVIATIONS WILL BE CAUSE FOR REJECTION.	
TOLERANCES ON FRACTIONS $\pm 1/64$ DECIMALS $\pm .005$ ANGLES $\pm 1/2^\circ$		REMOVE ALL BURRS AND SHARP EDGES	

REQ. PER UNIT	1	AFC-2	SECTION	ASS'Y. NO.	DATE
USED ON					

REQ. ITEM	PART NO.	DESCRIPTION	SYMBOL
THE TECHNICAL MATERIEL CORP. MAMARONECK, NEW YORK			
STOCK SIZE			
MATERIAL			
FILTER, BAND PASS			
TYPE & TEMPER		HEAT TREAT. SPEC.	FINAL APPROVAL
FINISH & SPEC. NO.		ELEC. DES. APP.	MECH. DES. APP.
			NF-108
			D