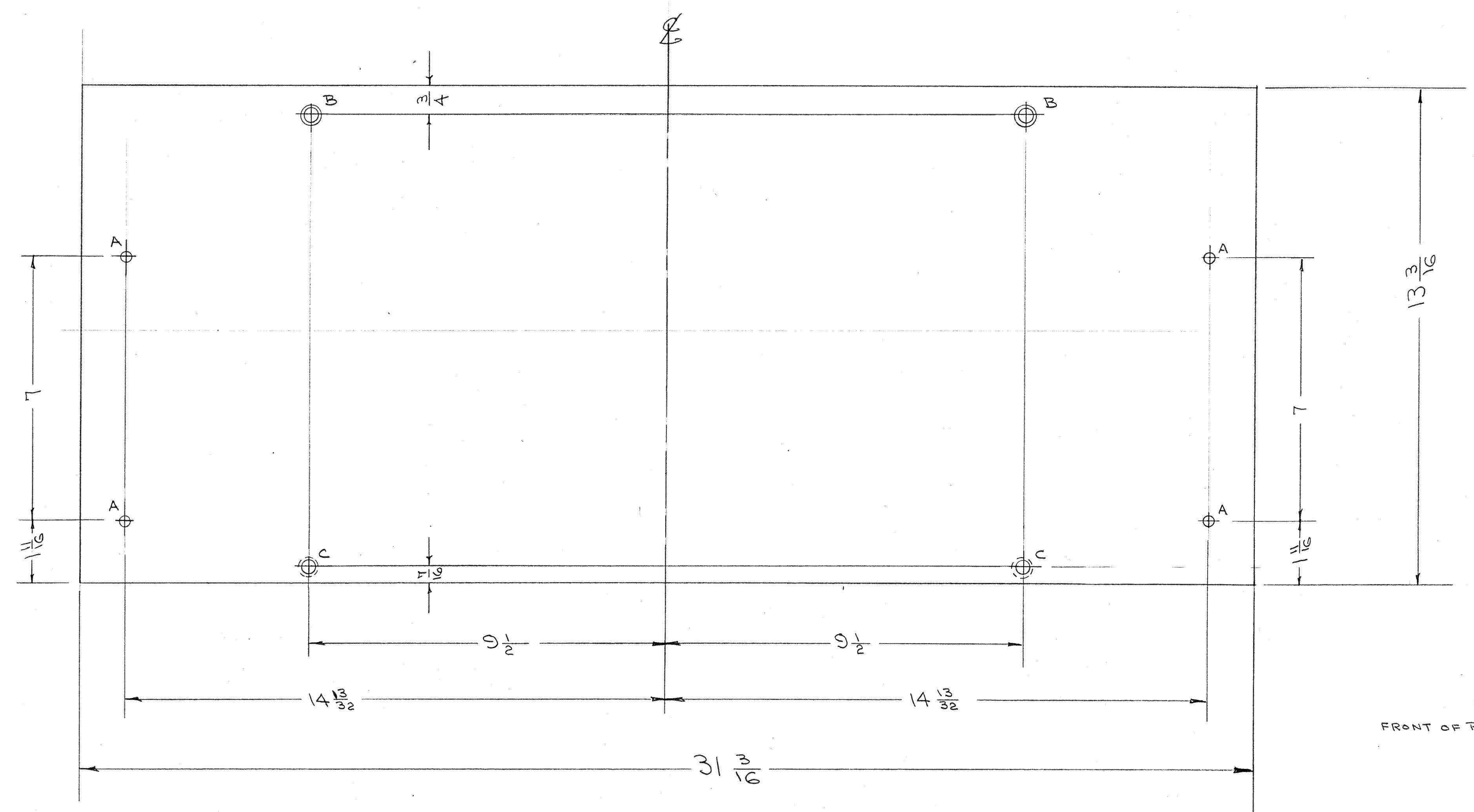
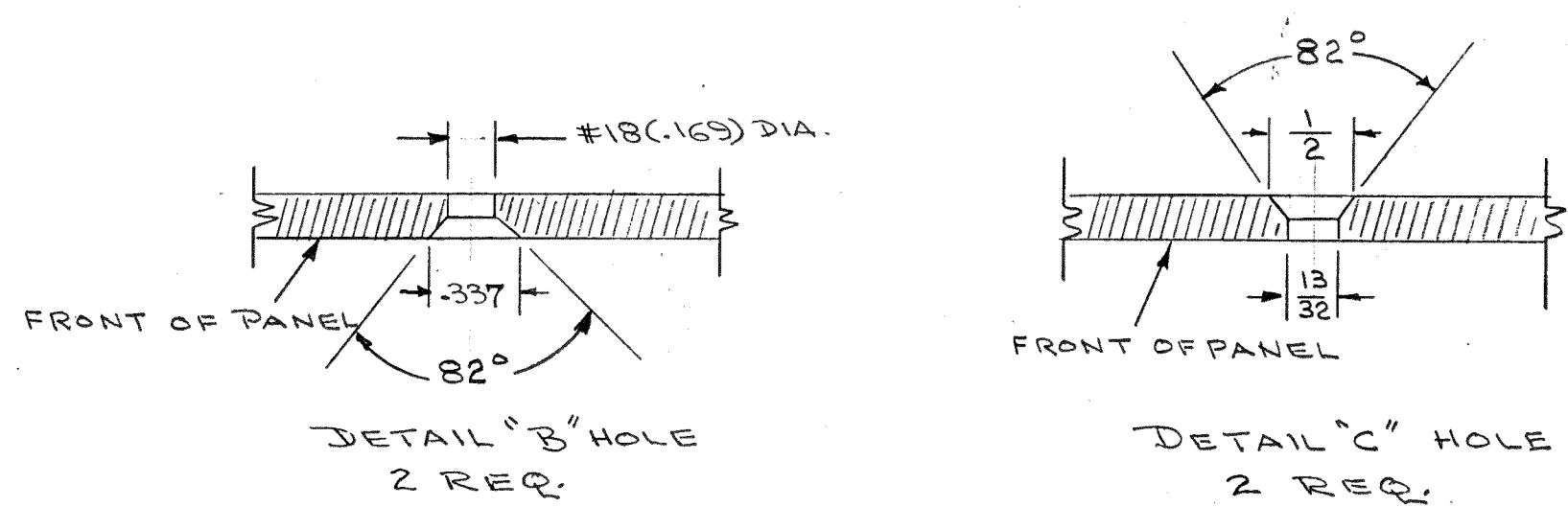


IF IT IS FOUND DESIRABLE TO CHANGE ANY TOLERANCE OR OTHER DETAIL SPECIFIED ON THIS DRAWING NOTIFY THE PURCHASER PROMPTLY.
 MAXIMUM ALLOWABLE TOLERANCES HAVE BEEN DETERMINED AND DEVIATIONS WILL BE CAUSE FOR REJECTION. REMOVE ALL BURRS AND SHARP EDGES

NOTICE TO PERSONS RECEIVING THIS DRAWING
 THE TECHNICAL MATERIEL CORPORATION claims proprietary right in the material disclosed herein. This drawing is issued in confidence for engineering information only and may not be reproduced or used to manufacture any item unless given without permission from THE TECHNICAL MATERIEL CORPORATION to the user. This drawing is loaned for mutual assistance and is subject to recall at any time.
 Property of:
 THE TECHNICAL MATERIEL CORPORATION
 MAMARONECK, NEW YORK



"A" - 15/64 (.234) DIA
 "B" - SEE DETAIL
 "C" - SEE DETAIL
 4 HOLES REQ.
 2 " " " "
 2 " " "



NOTE: FINISH
 FRONT & EDGES ONLY
 S-404 YEL. IRIDITE
 S-114 ZINC CHROMATE PRIMER
 S-115 SMOOTH GREY ENAMEL
 OR PRIME & PAINT TO CUSTOMER'S SPECIFICATION

ISSUE	ITEM	CHANGED FROM	DATE	CH. NO.	DRAFTER	CHECKER	ENG. APP.
A	1	S-404 YEL. IRIDITE WAS S-101 CAUSTIC DIP	12/29/59	1001	AB		EMN
TOLERANCES		SCALE:					
ALL OTHERS	DEC. DIM. ± 1/64 FRAC. DIM. ± 1/64 ANGULAR DIM. ±	DRILL, PUNCH, COMMERCIAL STOCK SIZES AND MANUFACTURERS TOLERANCES ARE NOT INCLUDED.					

REQ. PER UNIT	MODEL	PROJECT NO.	ASSY. NO.	DATE
1	A-1303			5/17/56
USED ON				
FINISH & SPEC. NO.				

REQ. ITEM	PART NO.	DESCRIPTION	SYMBOL
	3/16 THICK	THE TECHNICAL MATERIEL CORP. MAMARONECK, NEW YORK	
	ALUMINUM	FRONT PANEL BLANK	
	2024-T3	P/O A-1303 GPT	
	TYPE & TEMPER	DRAWN: [Signature]	ELEC. DES. APP. [Signature]
	HEAT TREAT. SPEC.	CHECKED: [Signature]	FINAL APPROVAL: [Signature]
	SEE NOTE		MS-945 A

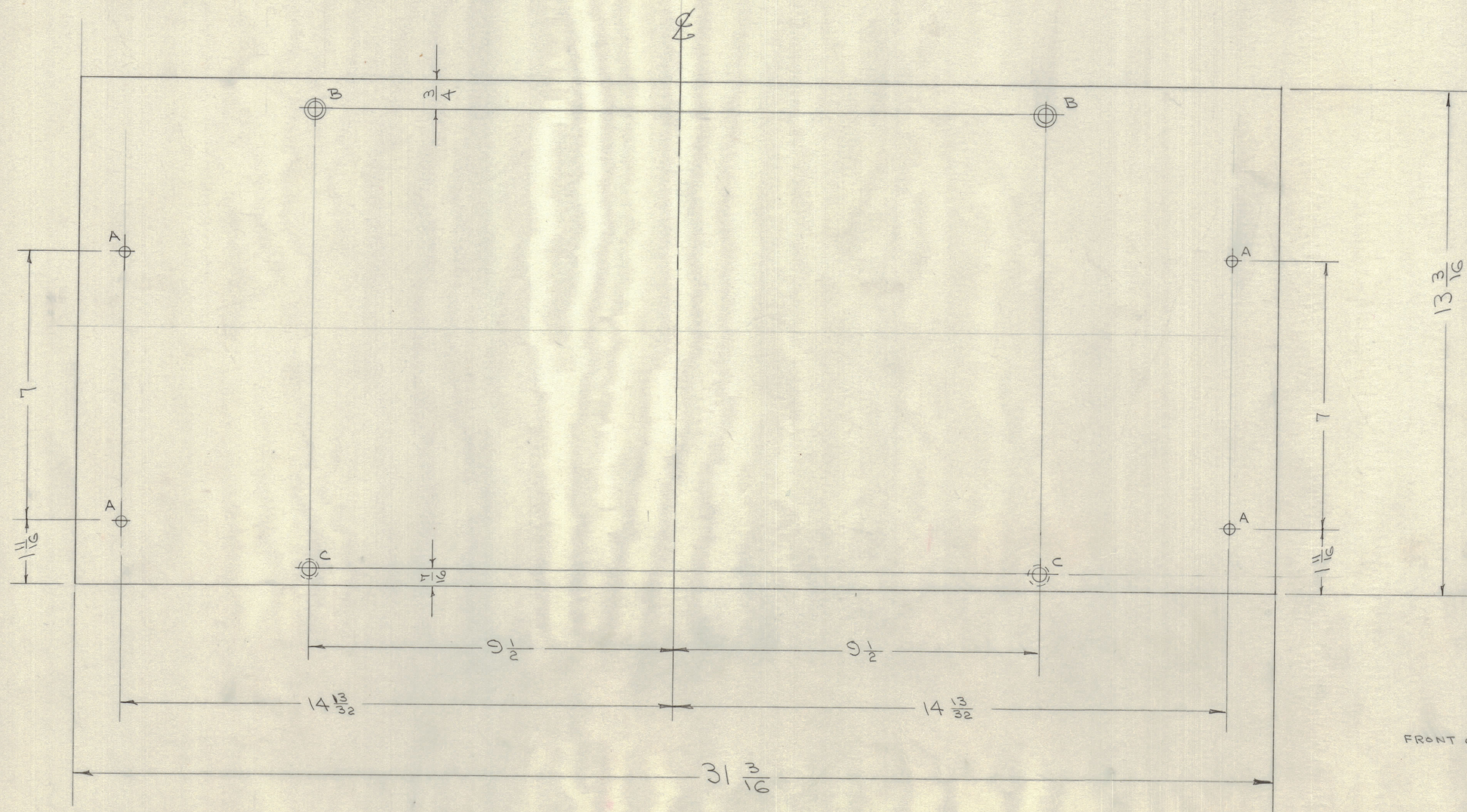
MS-945 A

IF IT IS FOUND DESIRABLE TO CHANGE ANY TOLERANCE OR OTHER DETAIL SPECIFIED ON THIS DRAWING NOTIFY THE PURCHASER PROMPTLY.
 MAXIMUM ALLOWABLE TOLERANCES HAVE BEEN DETERMINED AND DEVIATIONS WILL BE CAUSE FOR REJECTION. REMOVE ALL BURRS AND SHARP EDGES

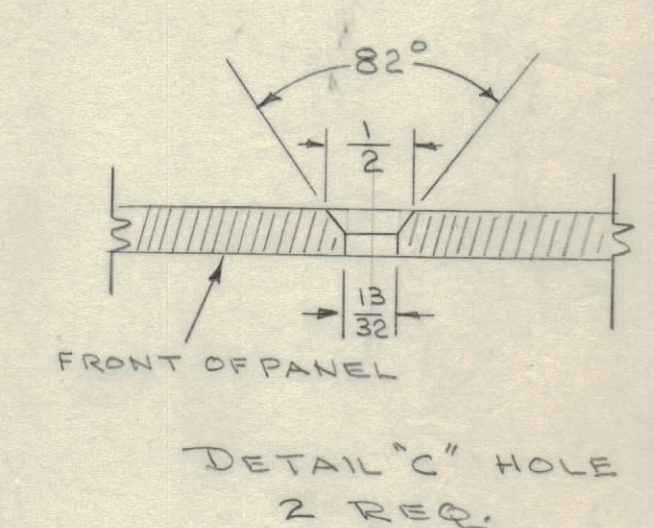
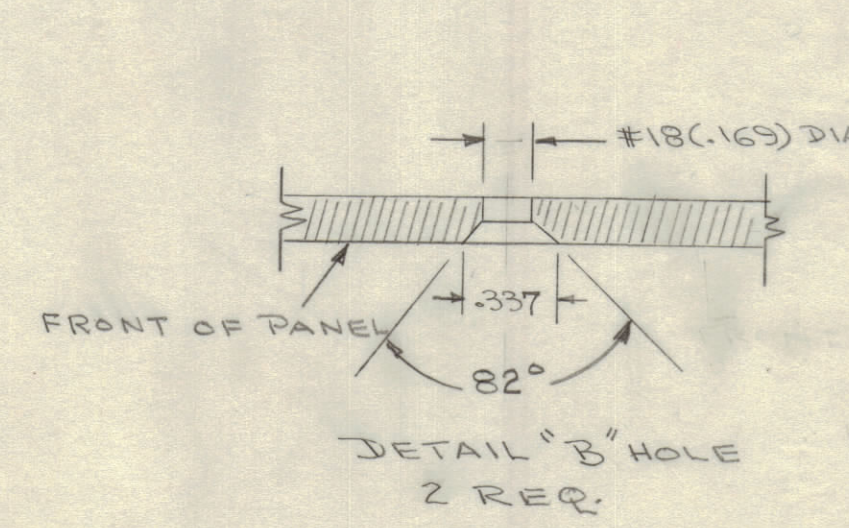
NOTICE TO PERSONS RECEIVING THIS DRAWING

THE TECHNICAL MATERIEL CORPORATION claims proprietary right in the material disclosed hereon. This drawing is issued in confidence for engineering information only and may not be reproduced or used to manufacture anything shown hereon without permission from THE TECHNICAL MATERIEL CORPORATION to the user. This drawing is loaned for mutual assistance and is subject to recall at any time.

Property of:
 THE TECHNICAL MATERIEL CORPORATION
 MAMARONECK, NEW YORK



"A" - 15/64 (.234) D 4 HOLES REQ.
 "B" - SEE DETAIL "B" 2 " "
 "C" - SEE DETAIL "C" 2 " "



NOTE: FINISH
 FRONT & EDGES ONLY
 S-404 YEL. IRIDITE
 S-114 ZINC CHROMATE PRIMER
 S-115 SMOOTH GREY ENAMEL
 OR PRIME & PAINT TO CUSTOMER'S SPECIFICATION

ISSUE	ITEM	CHANGED FROM	DATE	CN. NO.	DRAFTS	CHECKER	ENG. APP.
A	1	S-404 YEL. IRIDITE WAS CHANGED TO S-101 CAUSTIC DIP	12/16/57	1001	NB		EMN

TOLERANCES: DEC. DIM. ± 1/64, FRAC. DIM. ± 1/64, ANGULAR DIM. ±
 SCALE: DRILL PUNCH, COMMERCIAL STOCK SIZES AND MANUFACTURERS TOLERANCES ARE NOT INCLUDED.

REQ. PER UNIT	MODEL	PROJECT NO.	ASSY. NO.	DATE
1	A-1303			5/17/56

REQ. ITEM	PART NO.	DESCRIPTION	SYMBOL
	3/16 THICK	THE TECHNICAL MATERIEL CORP. MAMARONECK, NEW YORK	
	ALUMINUM	FRONT PANEL BLANK	
	2024-T3	P/O A-1303 GPT	
	TYPE & TEMPER	DRAWN: [Signature]	ELEC. DES. APP. [Signature]
	HEAT TREAT. SPEC.	CHECKED: [Signature]	MECH. DES. APP. [Signature]
	FINISH & SPEC. NO.	FINAL APPROVAL	
			MS-945 A

MS-945 A