

IF IT IS FOUND DESIRABLE TO CHANGE ANY TOLERANCE OR OTHER DETAIL SPECIFIED ON THIS DRAWING NOTIFY THE PURCHASER PROMPTLY.

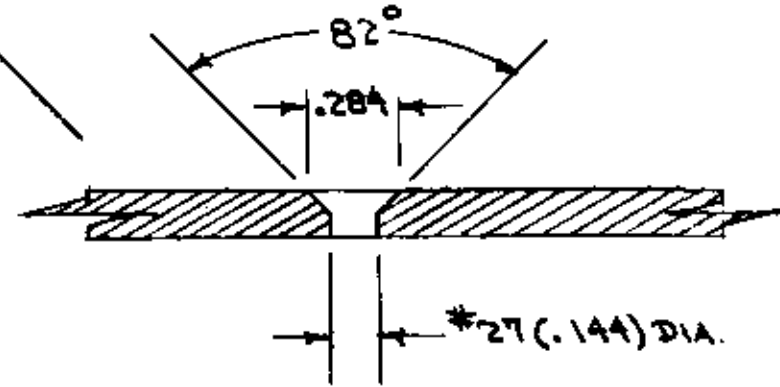
MAXIMUM ALLOWABLE TOLERANCES HAVE BEEN DETERMINED AND DEVIATIONS WILL BE CAUSE FOR REJECTION. REMOVE ALL BURRS AND SHARP EDGES

**NOTICE TO PERSONS RECEIVING THIS DRAWING**

THE TECHNICAL MATERIEL CORPORATION claims proprietary right in the material disclosed hereon. This drawing is issued in confidence for engineering information only and may not be reproduced or used to manufacture anything shown hereon without permission from THE TECHNICAL MATERIEL CORPORATION to the user. This drawing is loaned for mutual assistance and is subject to recall at any time.

Property of:  
THE TECHNICAL MATERIEL CORPORATION  
MAMARONECK, NEW YORK

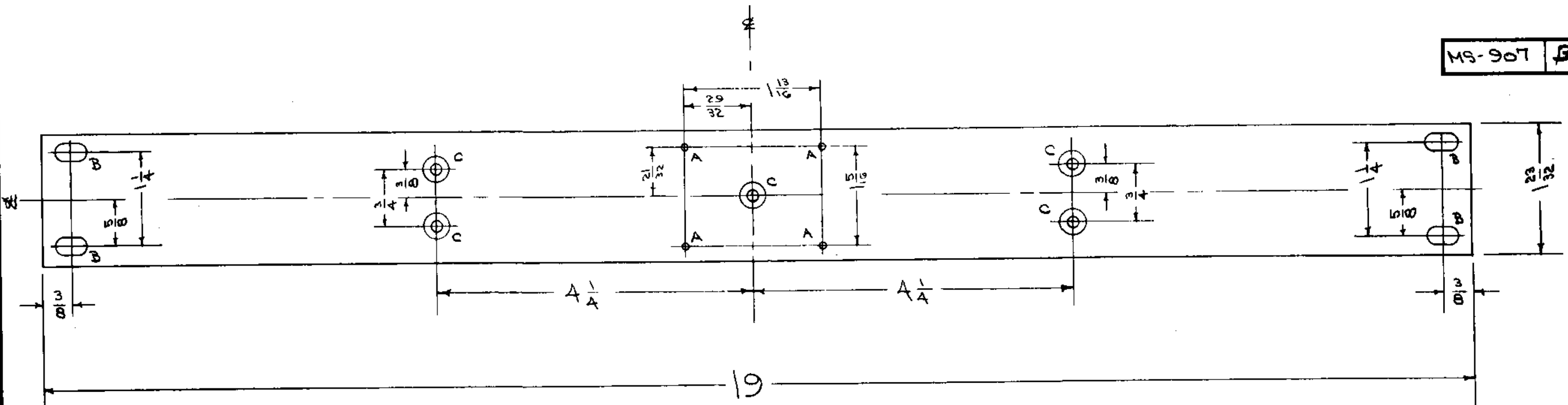
- A - NO. 47 (.078) DIA - 4 HOLES REQ
- B - 1/4 X 13/32 SLOT 4 SLOTS "
- C - SEE DETAIL 5 HOLES REQ.



NOTE: FINISH  
S 404-YEL- IRIDITE  
S-114 ZINC CHROMATE PRIMER  
S-115 SMOOTH GRAY ENAMEL  
OR PRIME & PAINT TO CUSTOMERS SPECIFICATION

FRONT & EDGES ONLY

MS-907 B



FRONT OF PANEL

REV	ITEM	DESCRIPTION	DATE	DR. NO.	DRAFTS	CHECKER	ENG. APP.
B	1	S 404-IRIDITE WAS 1/2" 1001	5/57				EMN
A	1	1/16" THICK WAS 1/8" 6/761					OPH
TOLERANCES		SCALE:					
ALL OTHERS		DRILL, PUNCH, COMMERCIAL STOCK SIZES AND MANUFACTURERS TOLERANCES ARE NOT INCLUDED.					

1	HFD-1			3-6-56
1	LFD-1			3-5-56
REV	MODEL	PROJECT NO.	ASBY. NO.	DATE
DATE	USED ON			

REQ. ITEM	PART NO.	DESCRIPTION	SYMBOL
	3/16 THK	THE TECHNICAL MATERIEL CORP.	
	STOCK SIZE	MAMARONECK NEW YORK	
	ALUMINUM	PANEL, FRONT	
	MATERIAL	HFD-1 LFD-1	
	24S T 3		
	TYPE & TEMPER		
		DRAWN	ELEC. DES. APP.
		CHECKED	MECH. DES. APP.
	HEAT TREAT. SPEC.		FINAL APPROVAL
	SEE NOTE		MS-907
	FINISH & SPEC. NO.		