

5

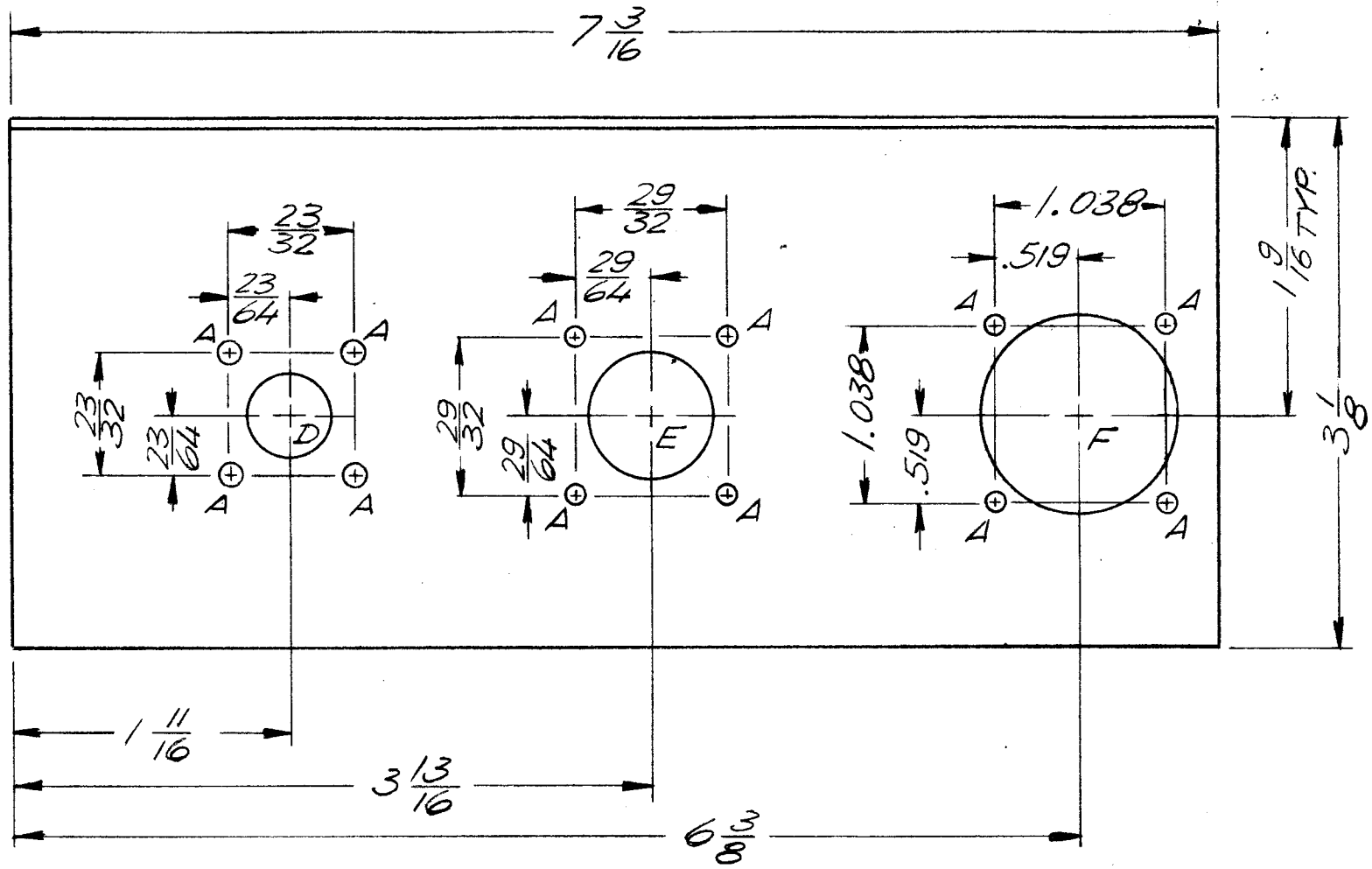
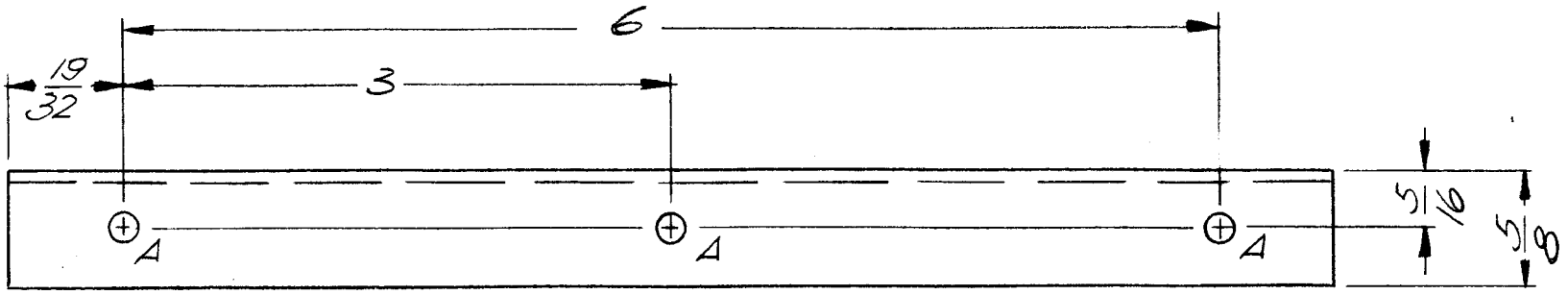
4

3

2

1

REVISIONS							
ZONE	LTR	DESCRIPTION	DATE	E.M.N.NO	DRAFT	CHKD	APPD
	X	EXP. RELEASE	2/5/70				
	Ø	ORIG RELEASE FOR PROD	9/6/70		CV		



HOLE	DESCRIPTION	REQ.
A	.140 DIA	15
B	.500 DIA.	1
C	.750 DIA.	1
D	1.187 DIA.	1

REQ'D	ITEM	PART NUMBER	DESCRIPTION	SYM.
-------	------	-------------	-------------	------

LIST OF MATERIAL

THE TECHNICAL MATERIEL CORP.
MAMARONECK, NEW YORK

PLATE, CONNECTOR
TOP COVER

SIZE	CODE IDENT. NO.	DWG NO.	ISSUE
B	82679	MS 8475	Ø

SCALE 1:1 SHEET OF

1	SPT-3KVHF	AP 140
QTY / UNIT	MODEL USED ON	ASS'Y NO.

APPLICATION

CODE

NOTICE TO PERSONS RECEIVING THIS DRAWING
THE TECHNICAL MATERIEL CORPORATION claims proprietary right in the material disclosed hereon. This drawing is issued in confidence for engineering information only and may not be reproduced or used to manufacture anything shown hereon without permission from THE TECHNICAL MATERIEL CORPORATION to the user. This drawing is loaned for mutual assistance and is subject to recall at any time.

UNLESS OTHERWISE SPECIFIED DIMENSIONS ARE IN INCHES AND INCLUDE CHEMICALLY APPLIED OR PLATED FINISHES

DECIMALS	FRACTIONS
.X ± .05	1/64
.XX ± .01	TOLS. ANGLES
.XXX ± .005	0° -30'

MATERIAL .064 ALUM
5052 H 32
FINISH S 404
YEL. IRIDITE

FINAL APPROVAL
MECH. DES.

ELECT. DES.
CHECKED

DRAWN
DATE 2/5/70