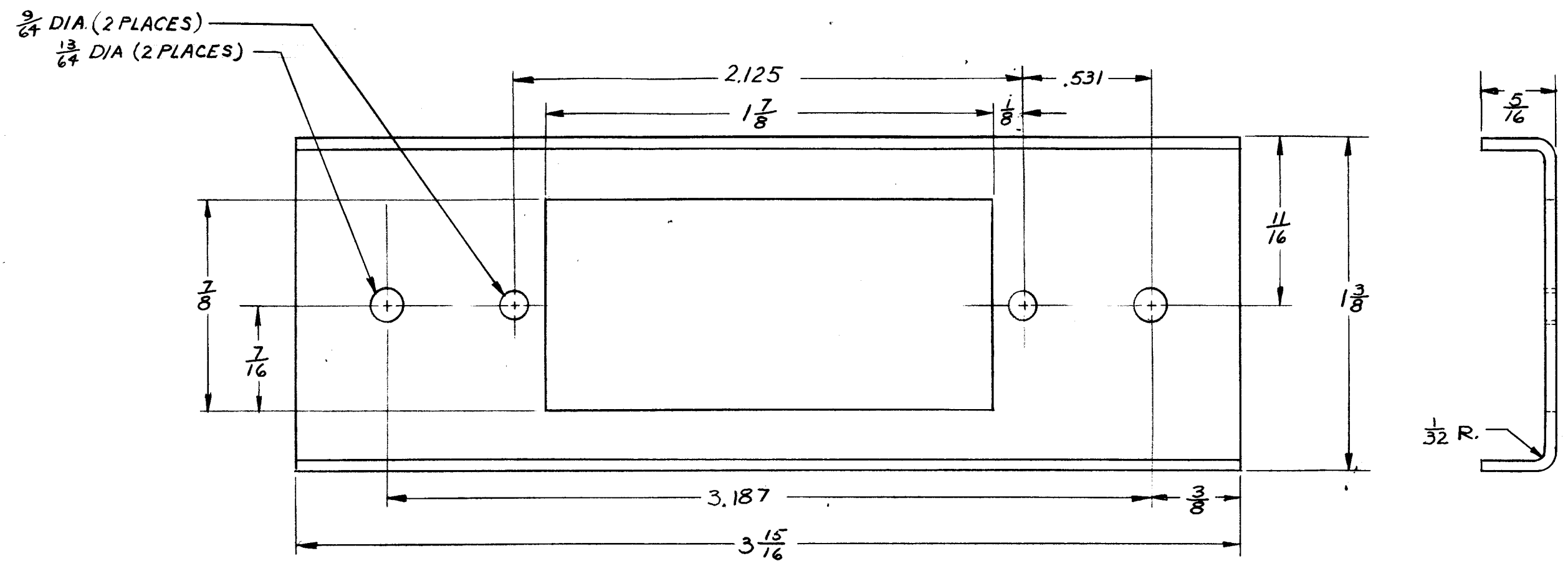


REVISIONS						
ZONE	LTR	DESCRIPTION	DATE	E.M.N.NO	DRAFT	CHKD APPD
Ø		ORIGINAL RELEASE	8-15-69		GE	



REQ'D	ITEM	PART NUMBER	DESCRIPTION	SYM.
LIST OF MATERIAL				
THE TECHNICAL MATERIEL CORP. MAMARONECK, NEW YORK				
<h1>PLATE, CONN. MOUNT</h1>				
QTY / UNIT 2		MODEL USED ON SPT-3KVHF		ASS'Y NO. AP 141
APPLICATION				
CODE				
NOTICE TO PERSONS RECEIVING THIS DRAWING THE TECHNICAL MATERIEL CORPORATION claims proprietary right in the material disclosed hereon. This drawing is issued in confidence for engineering information only and may not be reproduced or used to manufacture anything shown hereon without permission from THE TECHNICAL MATERIEL CORPORATION to the user. This drawing is loaned for mutual assistance and is subject to recall at any time.				
DECIMALS .X ± .05 .XX ± .01 .XXX ± .005		FRACTIONS 1/64 ANGLES 0° -30'		UNLESS OTHERWISE SPECIFIED DIMENSIONS ARE IN INCHES AND INCLUDE CHEMICALLY APPLIED OR PLATED FINISHES
MATERIAL .064 THK 5052-H32 ALUM		FINISH S404 IRIDITE		FINAL APPROVAL <i>[Signature]</i> DATE 8-14-69
MECH. DES. <i>[Signature]</i>		ELECT. DES. <i>[Signature]</i>		CHECKED DATE
DRAWN C. GROB		DATE 11/19/68		SIZE B
CODE IDENT. NO. 82679		DWG NO. MS 8463		ISSUE Ø
SCALE			SHEET 1 OF 1	