

5

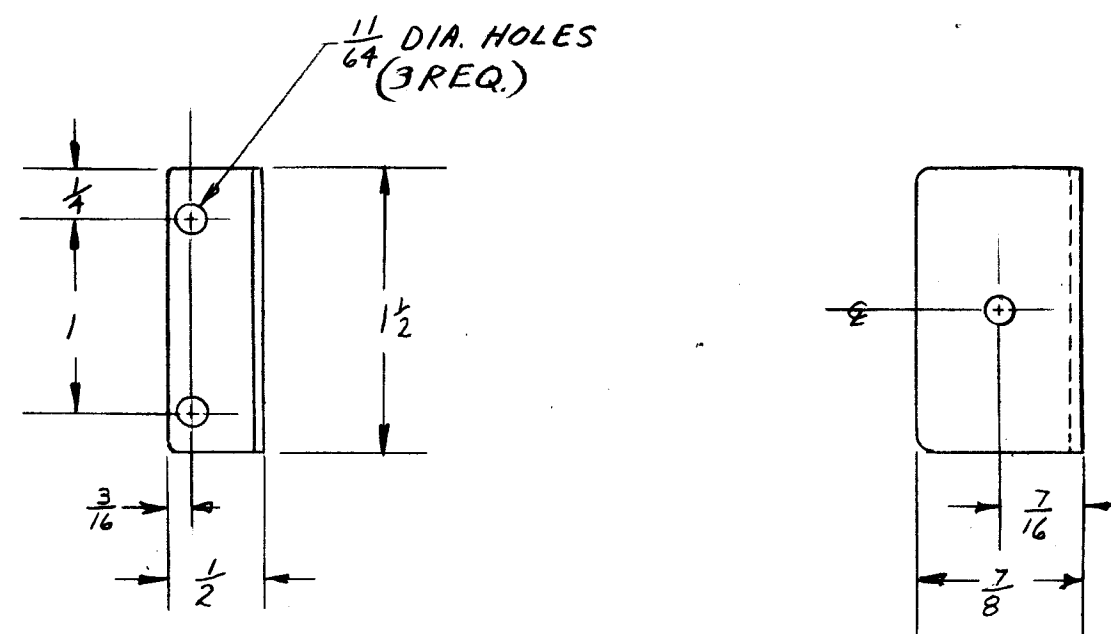
4

3

2

1

REVISIONS							
ZONE	LTR	DESCRIPTION	DATE	E.M.N.NO	DRAFT	CHKD	APPD
	Ø	ORIG.REL FOR PROD	4.3.69	-4	GE		Hde



1	SPT-3KVHF	AX 8081
QTY / UNIT	MODEL USED ON	ASS'Y NO.
APPLICATION		
	CODE	

NOTICE TO PERSONS RECEIVING THIS DRAWING
 THE TECHNICAL MATERIEL CORPORATION claims proprietary right in the material disclosed hereon. This drawing is issued in confidence for engineering information only and may not be reproduced or used to manufacture anything shown hereon without permission from THE TECHNICAL MATERIEL CORPORATION to the user. This drawing is loaned for mutual assistance and is subject to recall at any time.

UNLESS OTHERWISE SPECIFIED DIMENSIONS ARE IN INCHES AND INCLUDE CHEMICALLY APPLIED OR PLATED FINISHES

DECIMALS .X ± .05
.XX ± .01
.XXX ± .005

FRACTIONS 1/64
ANGLES 0° .30'

MATERIAL 1/16 THK COPPER

FINISH SILVER PLATE

REQ'D	ITEM	PART NUMBER	DESCRIPTION	SYM.
LIST OF MATERIAL				
THE TECHNICAL MATERIEL CORP. MAMARONECK, NEW YORK				
LOADING CAPACITOR BRKT				
FINAL APPROV	DATE	DATE		
MECH. DES.	DATE	DATE		
ELECT. DES.	DATE	DATE		
CHECKED	DATE	DATE		
DRAWN	DATE	DATE		
SIZE	CODE IDENT. NO.	DWG NO.	ISSUE	
B	82679	MS 8426	Ø	
SCALE			SHEET 1 OF 1	

5

4

3

2

1