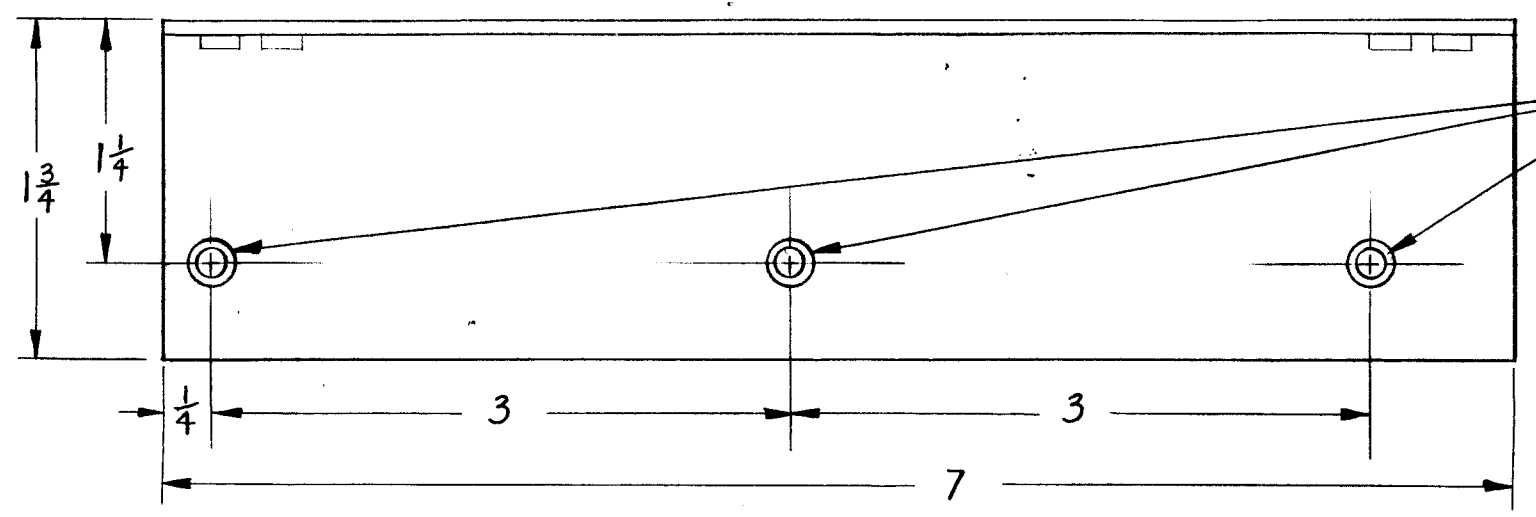
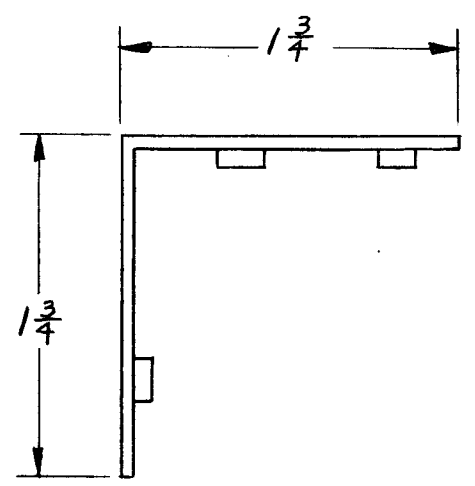
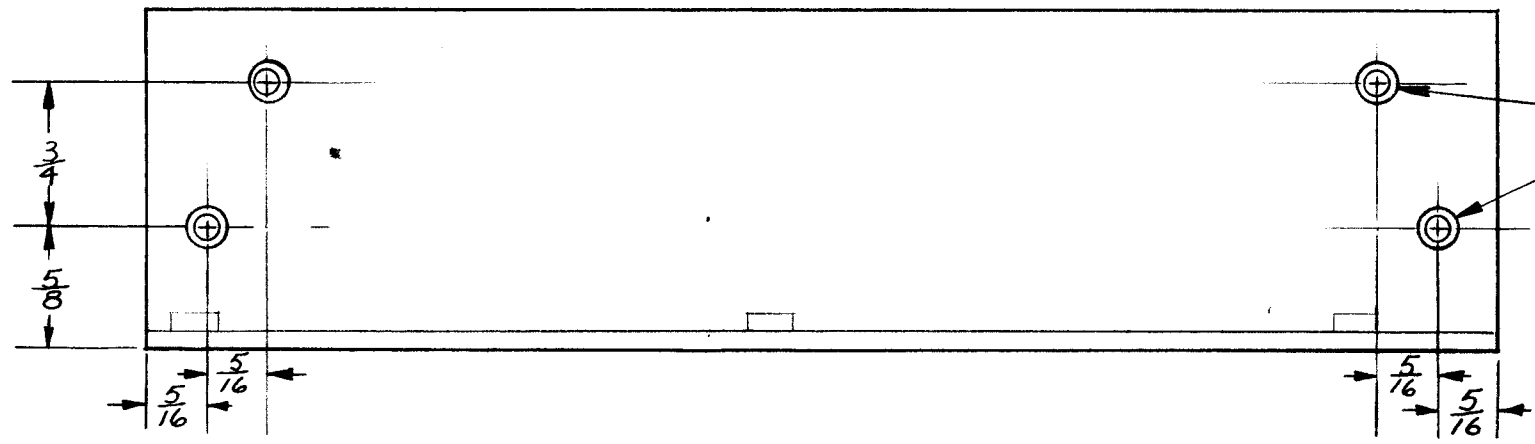


REVISIONS							
ZONE	LTR	DESCRIPTION	DATE	E.M.N.NO	DRAFT	CHKD	APPD
	Ø	ORIGINAL RELEASE	8/26/69	Ø	CG		<i>[Signature]</i>



NT129-1032-4
(3 REQ)



NT129-1032-3
(4 REQ)

REQ'D	ITEM	PART NUMBER	DESCRIPTION	SYM.
-------	------	-------------	-------------	------

LIST OF MATERIAL

THE TECHNICAL MATERIEL CORP.
MAMARONECK, NEW YORK

LOW BAND MTG
PLATE

QTY / UNIT	MODEL USED ON	ASS'Y NO.
	SPT 3KVHF	
APPLICATION		
	CODE	

NOTICE TO PERSONS RECEIVING THIS DRAWING
THE TECHNICAL MATERIEL CORPORATION claims proprietary right in the material disclosed hereon. This drawing is issued in confidence for engineering information only and may not be reproduced or used to manufacture anything shown hereon without permission from THE TECHNICAL MATERIEL CORPORATION to the user. This drawing is loaned for mutual assistance and is subject to recall at any time.

UNLESS OTHERWISE SPECIFIED
DIMENSIONS ARE IN INCHES
AND INCLUDE CHEMICALLY APPLIED
OR PLATED FINISHES

DECIMALS FRACTIONS
.X ± .05 1/64
.XX ± .01 TOLS. ANGLES
.XXX ± .005 0°-30'

MATERIAL .081 THK
5052 H32

FINISH S404 IRIDITE

FINAL APPROVAL *[Signature]* DATE 8/26/69
MECH. DES. *[Signature]* DATE 5-26-68
ELECT. DES. *[Signature]* DATE 8-13-69
CHECKED *[Signature]* DATE
DRAWN C. GROB DATE 7-9-68

SIZE	CODE IDENT. NO.	DWG NO.	ISSUE
B	82679	MS8407	Ø
SCALE 7		SHEET 1 OF 1	