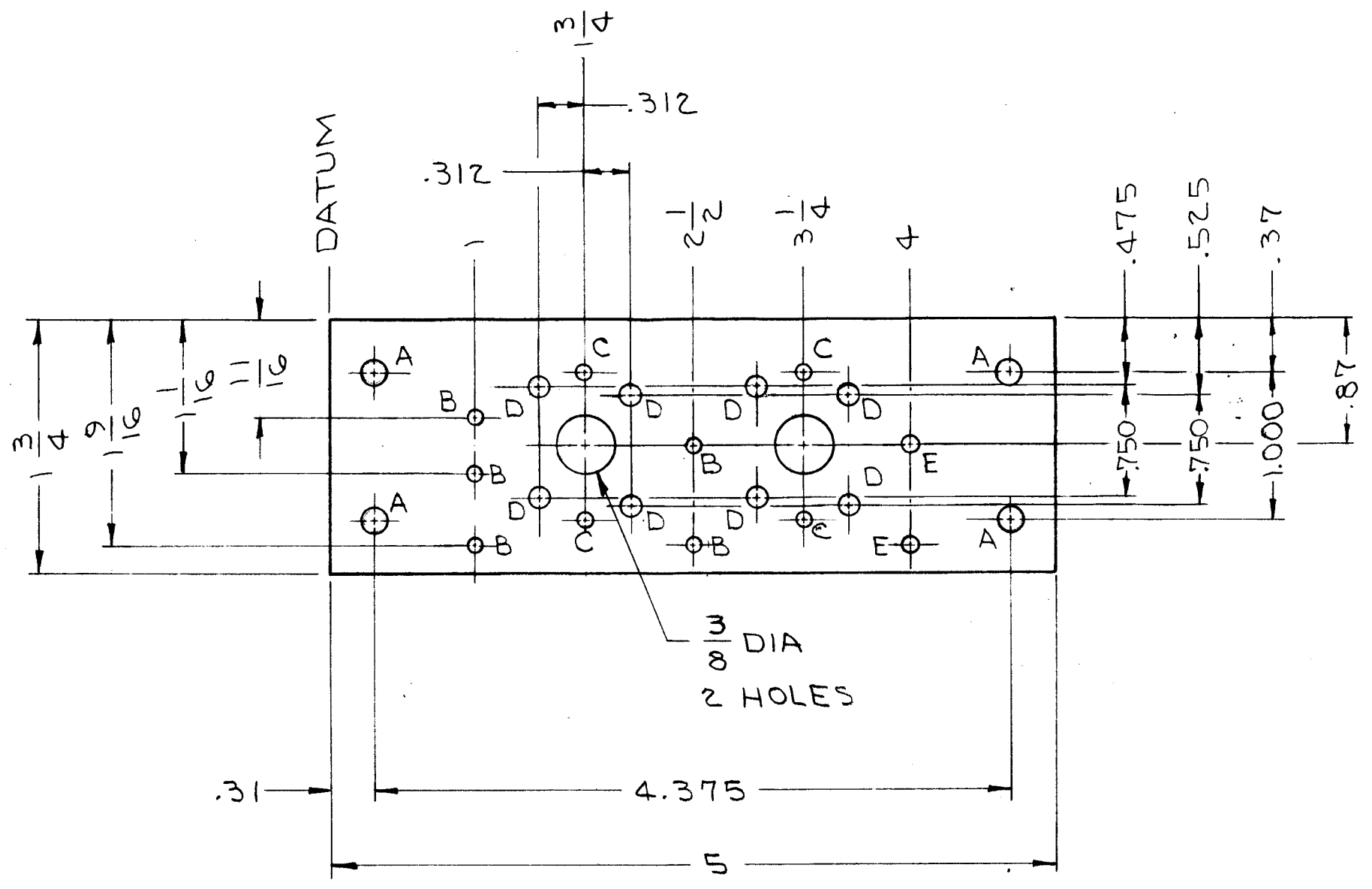


REVISIONS							
ZONE	LTR	DESCRIPTION	DATE	E.M.N.NO	DRAFT	CHKD	APPD
	X	40Q12B7181	8-12-68		C. GARD		
	Ø	ORIGINAL RELEASE	8-15-69		GE		



REFERENCE DRAWINGS  
LD 8074

LETTER	HOLE DIM	QTY
A	5/32 DIA	4
B	.073 DIA	5
C	3/32 DIA	4
D	1/8 DIA	8
E	.089 DIA	2

1	SPT 3KVHF	AX8038
QTY / UNIT	MODEL USED ON	ASS'Y NO.
APPLICATION AB092		
	CODE	

**NOTICE TO PERSONS RECEIVING THIS DRAWING**  
 THE TECHNICAL MATERIEL CORPORATION claims proprietary right in the material disclosed hereon. This drawing is issued in confidence for engineering information only and may not be reproduced or used to manufacture anything shown hereon without permission from THE TECHNICAL MATERIEL CORPORATION to the user. This drawing is loaned for mutual assistance and is subject to recall at any time.

UNLESS OTHERWISE SPECIFIED DIMENSIONS ARE IN INCHES AND INCLUDE CHEMICALLY APPLIED OR PLATED FINISHES

DECIMALS: X ± .05, .XX ± .01, .XXX ± .005  
 FRACTIONS: 1/64  
 TOLS. ANGLES: 0° - 30'

MATERIAL: 1/16 THK G10 GLASS EPOXY  
 FINISH: \_\_\_\_\_

REQ'D	ITEM	PART NUMBER	DESCRIPTION	SYM.
LIST OF MATERIAL				
THE TECHNICAL MATERIEL CORP. MAMARONECK, NEW YORK				
FEED BACK AMP BOARD VIDEO MODULATOR				
SIZE	CODE IDENT. NO.	DWG NO.	ISSUE	
B	82679	MS8371	Ø	
SCALE 1/1			SHEET 1 OF 1	