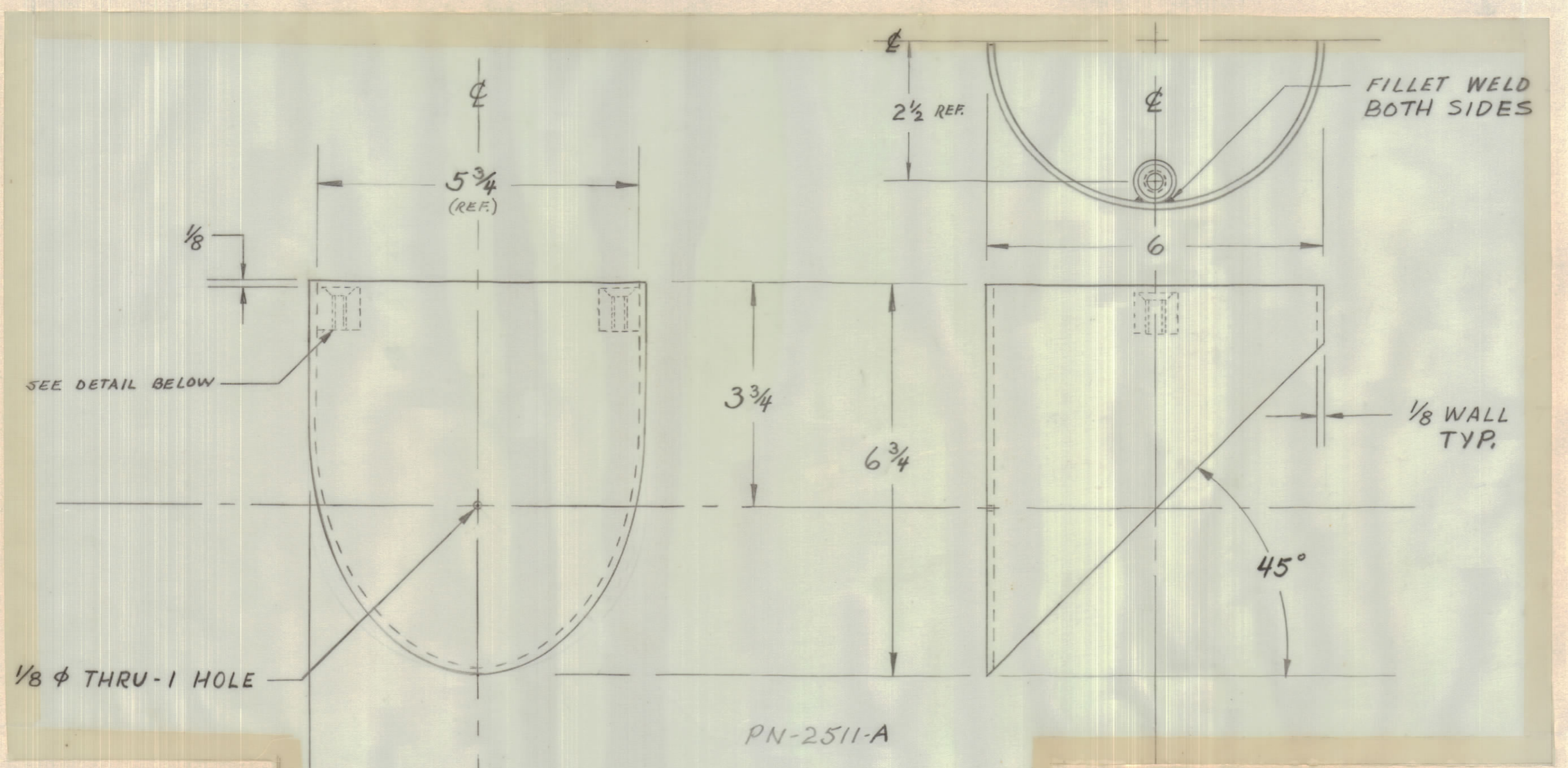
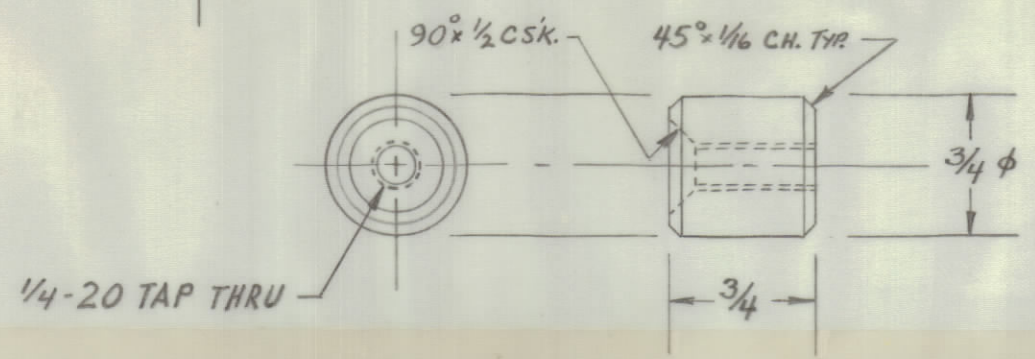


REVISIONS						
ZONE	LTR	DESCRIPTION	DATE	E.M.N.NO	DRAFT	CHKD APPD
	Ø	ORIGINAL RELEASE FOR PRODUCTION	5.12.69	-#	GE	fd



MS8316-1
6" OD TUBE (HRS)



COYEE RETAINING BUSHING
SCALE - F.S.
MAT'L - 3/4 Ø STEEL ROD
P.N. - 2511-B
No Req'd - 2
MS8316-2

1	ATW-1	AX8086
QTY / UNIT	MODEL USED ON	ASS'Y NO.
	APPLICATION	
	CODE	

NOTICE TO PERSONS RECEIVING THIS DRAWING
THE TECHNICAL MATERIEL CORPORATION claims proprietary right in the material disclosed hereon. This drawing is issued in confidence for engineering information only and may not be reproduced or used to manufacture anything shown hereon without permission from THE TECHNICAL MATERIEL CORPORATION to the user. This drawing is loaned for mutual assistance and is subject to recall at any time.

UNLESS OTHERWISE SPECIFIED DIMENSIONS ARE IN INCHES AND INCLUDE CHEMICALLY APPLIED OR PLATED FINISHES

TOLERANCES ON
 DECIMALS .X ± .05
 .XX ± .01
 .XXX ± .005
 FRACTIONS ± 1/64
 ANGLES ± 0° -30'

MATERIAL NOTED HERE
 FINISH REF: AX8086

QTY. REQ.	ITEM	PART NO.	DESCRIPTION	SYMBOL
1			LIST OF MATERIAL	
			THE TECHNICAL MATERIEL CORP. MAMARONECK, NEW YORK	
			VERTICAL CORE SLEEVE	
			SIZE CODE IDENT.NO. DWG NO.	ISSUE
			C 82679 MS-8316	Ø
			SCALE 1/2:1	SHEET OF

FINAL APPROVAL	DATE
MECH. DES.	DATE
ELECT. DES.	DATE
CHECKED	DATE
DRAWN	DATE