

5

4

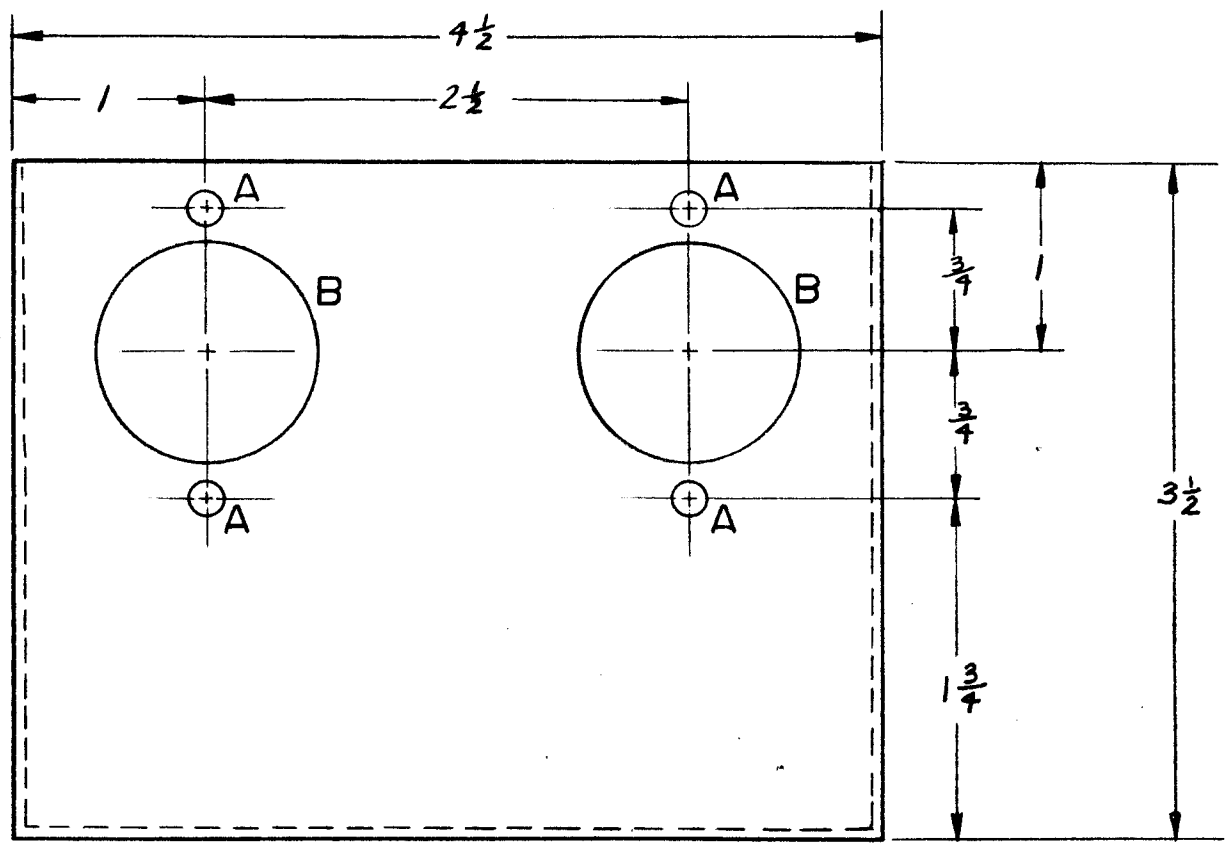
3

2

1

REVISIONS

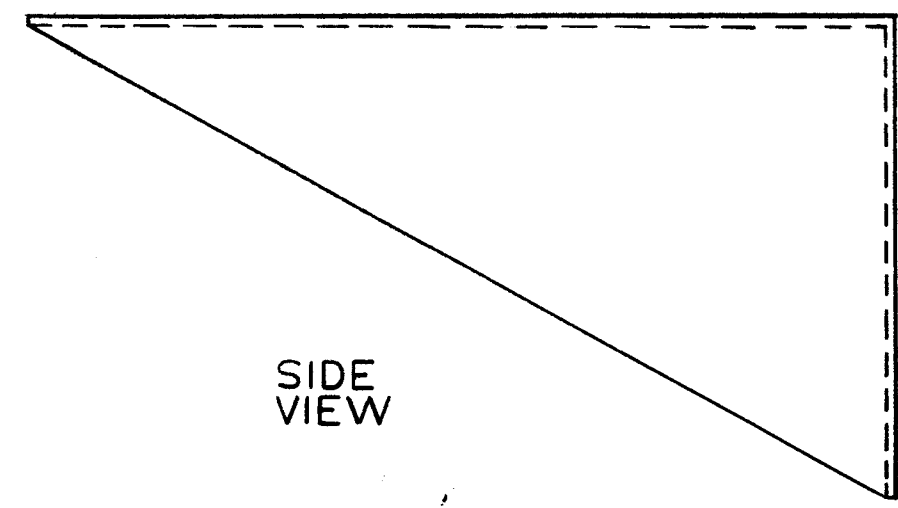
ZONE	LTR	DESCRIPTION	DATE	E.M.N.NO	DRAFT	CHKD	APPD
	Ø	ORIGINAL RELEASE	8/12/69	Ø			



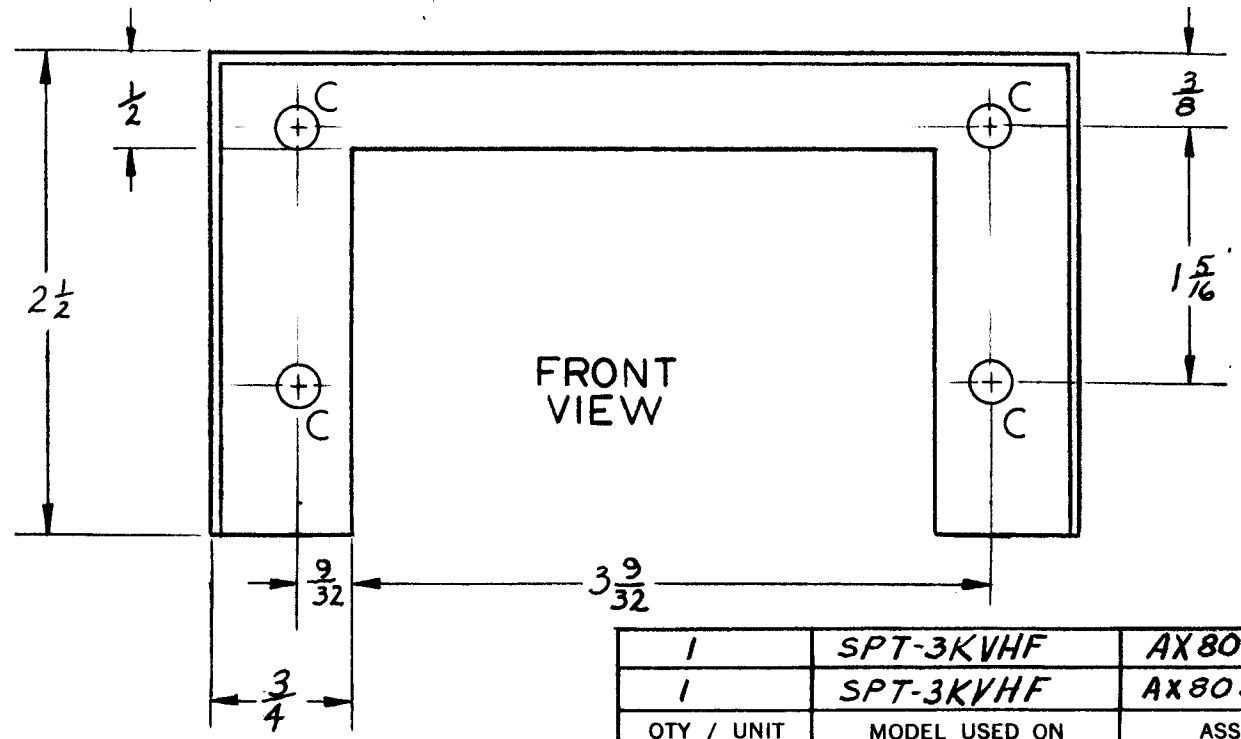
TOP VIEW

HOLES

- "A" = 5/32 DIA. (4 REQ.)
- "B" = 1 1/8 DIA. (2 REQ.)
- "C" = 7/32 DIA. (4 REQ.)



SIDE VIEW



FRONT VIEW

REQ'D	ITEM	PART NUMBER	DESCRIPTION	SYM.
-------	------	-------------	-------------	------

LIST OF MATERIAL

QTY / UNIT	MODEL USED ON	ASS'Y NO.
1	SPT-3KVHF	AX8057-1
1	SPT-3KVHF	AX8057-2

UNLESS OTHERWISE SPECIFIED DIMENSIONS ARE IN INCHES AND INCLUDE CHEMICALLY APPLIED OR PLATED FINISHES

DECIMALS .X ± .05 .XX ± .01 .XXX ± .005 FRACTIONS 1/64 ANGLES 0° -30° TOLS.

MATERIAL .061 THK. 5052-H32 ALUM.

FINISH S404 YEL. IRIDITE

FINAL APPROVAL	DATE 8-12-69
MECH. DES.	DATE 8-12-69
ELECT. DES.	DATE
CHECKED	DATE
DRAWN C. Grob	DATE 7-5-68

THE TECHNICAL MATERIEL CORP.  
MAMARONECK, NEW YORK

RELAY MTG. BRACKET

APPLICATION

CODE

NOTICE TO PERSONS RECEIVING THIS DRAWING  
THE TECHNICAL MATERIEL CORPORATION claims proprietary right in the material disclosed hereon. This drawing is issued in confidence for engineering information only and may not be reproduced or used to manufacture anything shown hereon without permission from THE TECHNICAL MATERIEL CORPORATION to the user. This drawing is loaned for mutual assistance and is subject to recall at any time.

SIZE	CODE IDENT. NO.	DWG NO.	ISSUE
B	82679	MS8291	Ø

SCALE 7 SHEET 1 OF 1