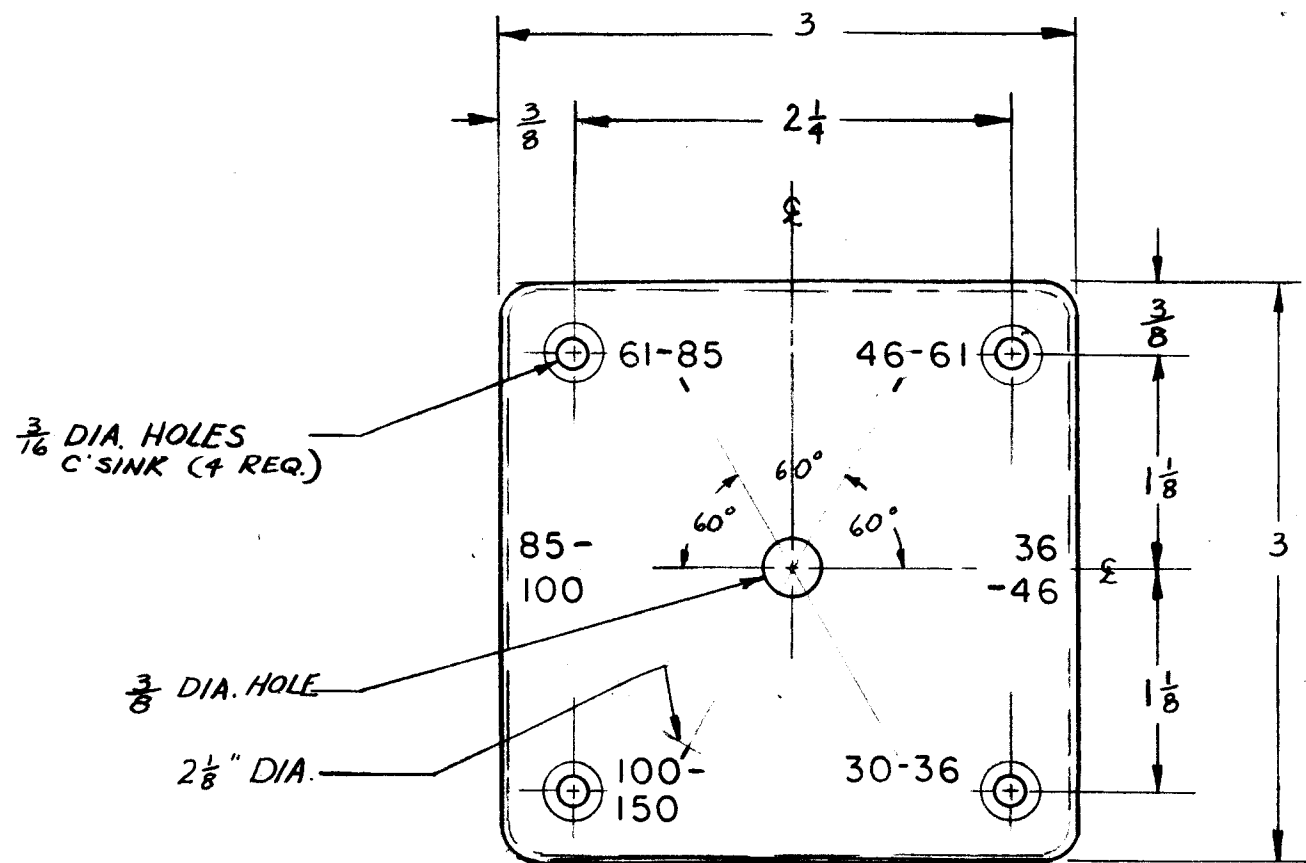
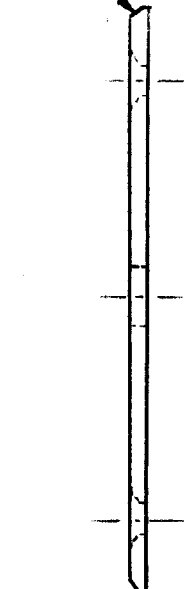


# ENGINEERING SKETCH NOT FOR PRODUCTION

REVISIONS							
ZONE	LTR	DESCRIPTION	DATE	E.M.N.NO	DRAFT	CHKD	APPD
	Ø	ORIGINAL RELEASE	8/27/69	Ø			<i>Alde</i>



BREAK AND ROUND ALL CORNERS



NOTE:  
LINEWORK AND LETTERING  
1/8" WHITE GOTHIC PER TMC S 566

FRONT VIEW

SIDE VIEW

1	SPT-3KVHF	AX8074-2
1	SPT-3KVHF	AX8074-1
QTY / UNIT	MODEL USED ON	ASS'Y NO.

APPLICATION

CODE

NOTICE TO PERSONS RECEIVING THIS DRAWING  
THE TECHNICAL MATERIEL CORPORATION claims proprietary right in the material disclosed hereon. This drawing is issued in confidence for engineering information only and may not be reproduced or used to manufacture anything shown hereon without permission from THE TECHNICAL MATERIEL CORPORATION to the user. This drawing is loaned for mutual assistance and is subject to recall at any time.

UNLESS OTHERWISE SPECIFIED  
DIMENSIONS ARE IN INCHES  
AND INCLUDE CHEMICALLY APPLIED  
OR PLATED FINISHES

DECIMALS	FRACTIONS
.X ± .05	1/64
.XX ± .01	TOLS. ANGLES
.XXX ± .005	0° - 30'

MATERIAL  
.125 THK. ALUM  
5052-H32  
FINISH PAINT BLACK  
WITH BLISTER  
FINISH

REQ'D	ITEM	PART NUMBER	DESCRIPTION	SYM.								
LIST OF MATERIAL												
THE TECHNICAL MATERIEL CORP. MAMARONECK, NEW YORK												
BEZEL												
FINAL APPROVAL	DATE	<table border="1"> <tr> <td>SIZE</td> <td>CODE IDENT. NO.</td> <td>DWG NO.</td> <td>ISSUE</td> </tr> <tr> <td>B</td> <td>82679</td> <td>MS8289</td> <td>Ø</td> </tr> </table>			SIZE	CODE IDENT. NO.	DWG NO.	ISSUE	B	82679	MS8289	Ø
SIZE	CODE IDENT. NO.				DWG NO.	ISSUE						
B	82679				MS8289	Ø						
MECH. DES.	DATE											
ELECT. DES.	DATE											
CHECKED	DATE											
DRAWN	DATE	SCALE										
C. Grob	7-3-68	SHEET OF										