

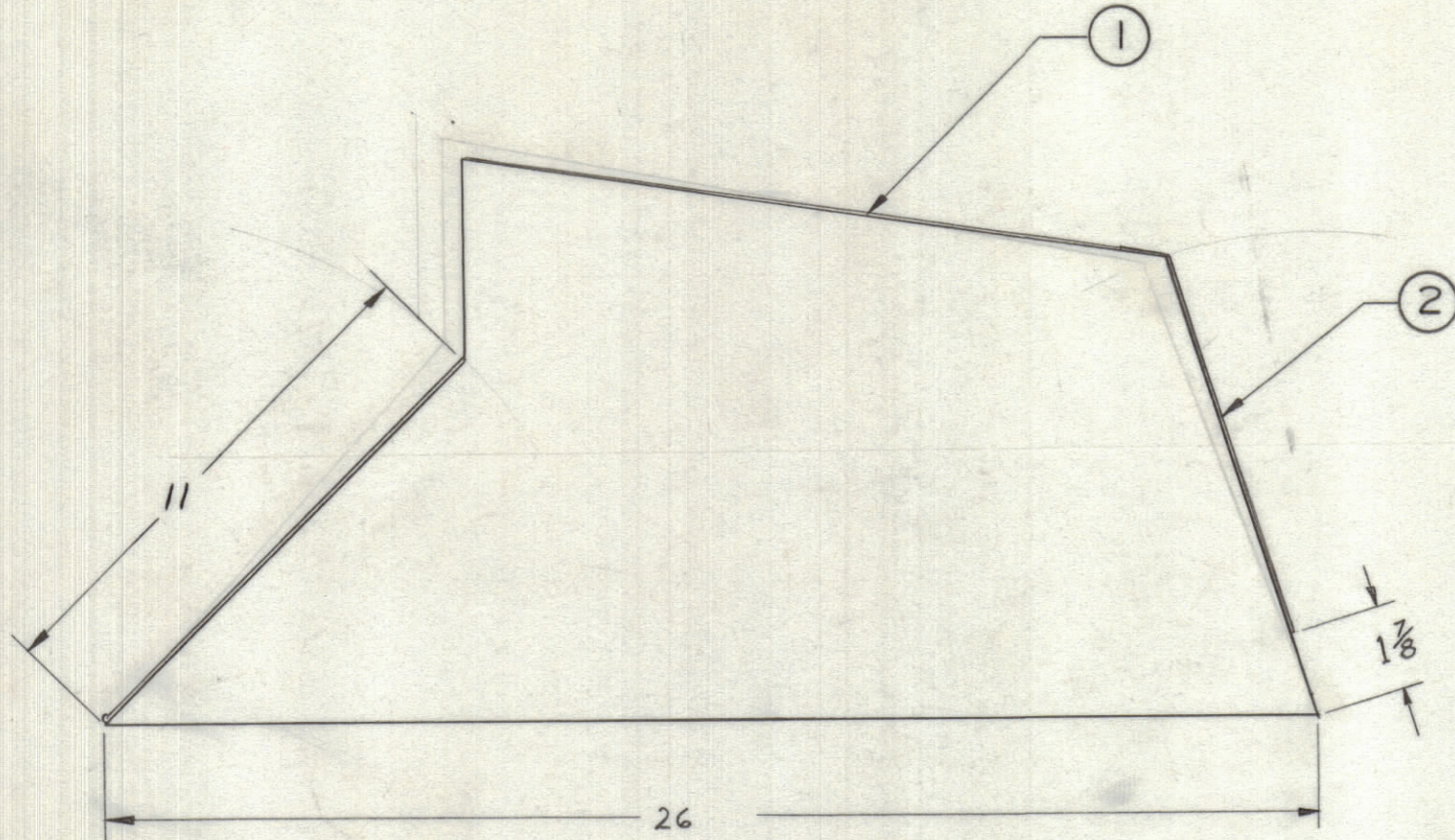
4

3

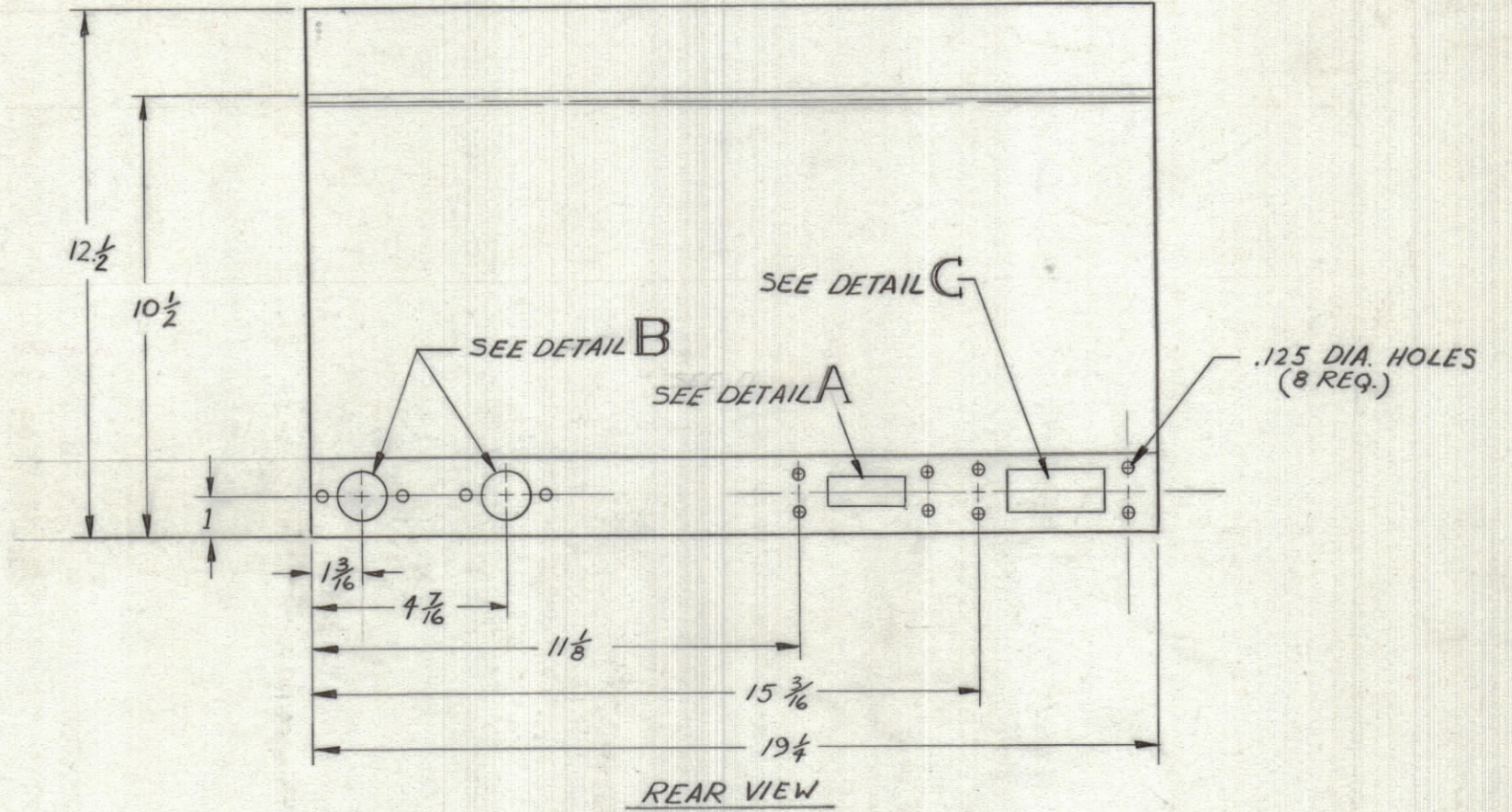
2

1

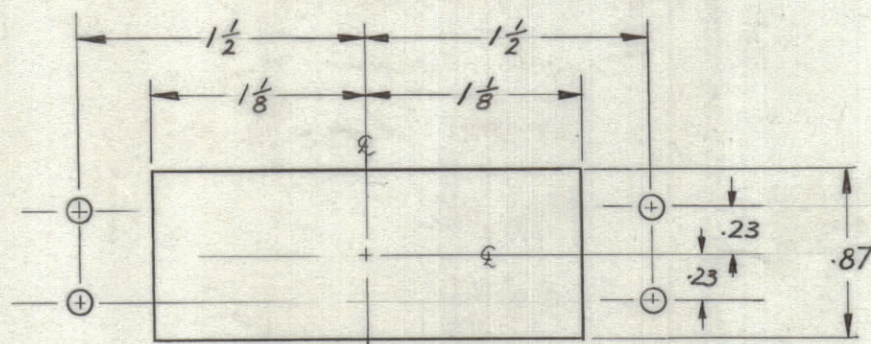
REVISIONS						
ZONE	LTR	DESCRIPTION	DATE	E.M.N.NO	DRAFT	CHKD APPD
	Ø	ORIGINAL RELEASE FOR PRODUCTION	8/20/70		RG	



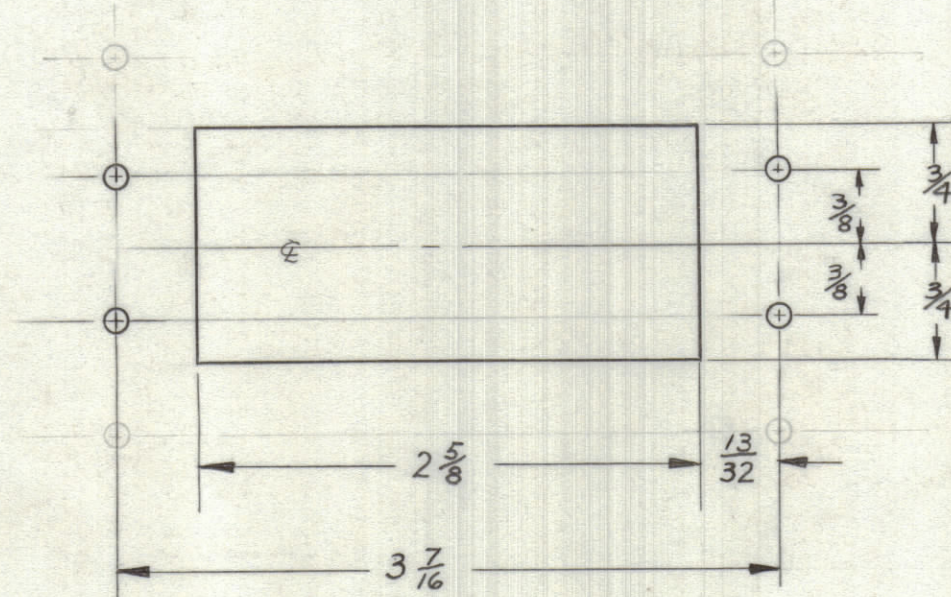
RIGHT SIDE



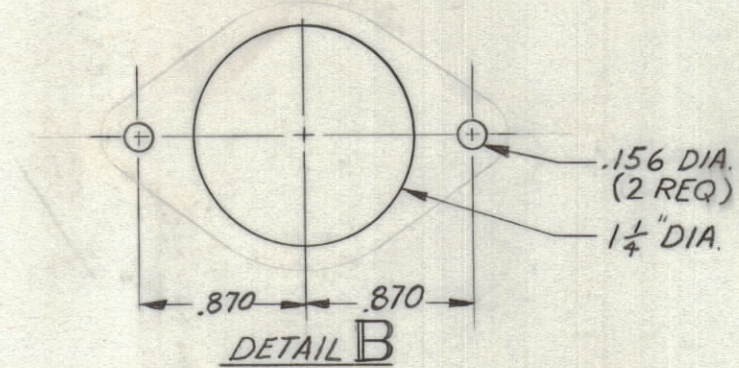
REAR VIEW



DETAIL A



DETAIL C



DETAIL B

QTY. REQ.	ITEM	PART NO.	DESCRIPTION	SYMBOL
1	2	MS8050	COVER BC19, REAR	
1	1	MS8051	COVER BC19, TOP	

LIST OF MATERIAL

UNLESS OTHERWISE SPECIFIED DIMENSIONS ARE IN INCHES AND INCLUDE CHEMICALLY APPLIED OR PLATED FINISHES	FINAL APPROVAL <i>S. Orlando</i>	DATE 8/19/70
TOLERANCES ON	ELECT. DES.	DATE
DECIMALS .X ± .05 .XX ± .01 .XXX ± .005	CHECKED	DATE
FRACTIONS ± 1/64 ANGLES ± 0° -30'	DRAWN <i>C. Grob</i>	DATE 3/27/68

THE TECHNICAL MATERIEL CORP.
MAMARONECK, NEW YORK

MODIFICATION OF BC-19A

13	UNIT 13	
QTY / UNIT	MODEL USED ON	ASS'Y NO.
APPLICATION		
	CODE	

NOTICE TO PERSONS RECEIVING THIS DRAWING
THE TECHNICAL MATERIEL CORPORATION claims proprietary right in the material disclosed hereon. This drawing is issued in confidence for engineering information only and may not be reproduced or used to manufacture anything shown hereon without permission from THE TECHNICAL MATERIEL CORPORATION to the user. This drawing is loaned for mutual assistance and is subject to recall at any time.

SIZE	CODE IDENT.NO.	DWG NO.	ISSUE
C	82679	MS8266	Ø
SCALE		SHEET 1 OF 1	

4

3

2

1