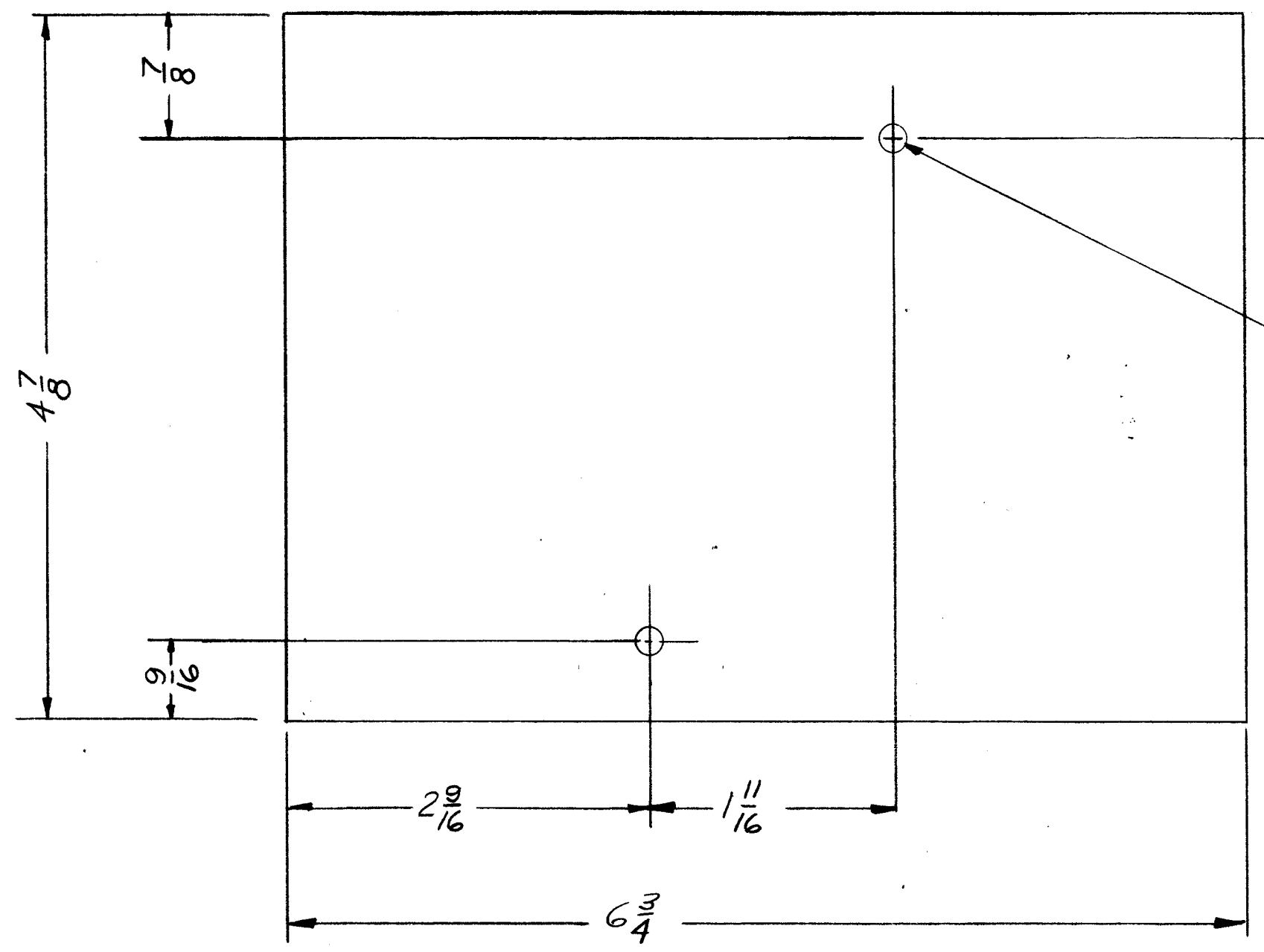


5 4 3 2 1

REVISIONS					
ZONE	LTR	DESCRIPTION	DATE	E.M.N.NO	APPD



(2) $\frac{13}{64}$ DRILL

FINISH:

- S404 IRIDITE
- S114 PRIMER
- S115 ENAMEL

X .064 THK

USE 2 MS 8215 WITH THIS DWG.

REQ'D	ITEM	PART NUMBER	DESCRIPTION	SYM.
-------	------	-------------	-------------	------

LIST OF MATERIAL

THE TECHNICAL MATERIEL CORP.
MAMARONECK, NEW YORK

COVER PLATE

1/19	QTY / UNIT	MODEL USED ON	ASS'Y NO.
APPLICATION			
		CODE	
<p>NOTICE TO PERSONS RECEIVING THIS DRAWING THE TECHNICAL MATERIEL CORPORATION claims proprietary right in the material disclosed hereon. This drawing is issued in confidence for engineering information only and may not be reproduced or used to manufacture anything shown hereon without permission from THE TECHNICAL MATERIEL CORPORATION to the user. This drawing is loaned for mutual assistance and is subject to recall at any time.</p>			

UNLESS OTHERWISE SPECIFIED DIMENSIONS ARE IN INCHES AND INCLUDE CHEMICALLY APPLIED OR PLATED FINISHES

DECIMALS	FRACTIONS
.X ± .05	1/64
.XX ± .01	TOLS. ANGLES
.XXX ± .005	0° .30'

MATERIAL
ALUM-5052-H32

FINISH
NOTED

FINAL APPROVAL *[Signature]* DATE 6-1-68
 MECH. DES. *[Signature]* DATE 3-16-68
 ELECT. DES. *[Signature]* DATE 3-16-68
 CHECKED *[Signature]* DATE 5-28-64
 DRAWN *[Signature]* DATE 3-18-68

SIZE	CODE IDENT. NO.	DWG NO.	ISSUE
B	82679	MS 8214	Ø
SCALE	SHEET		OF