

5

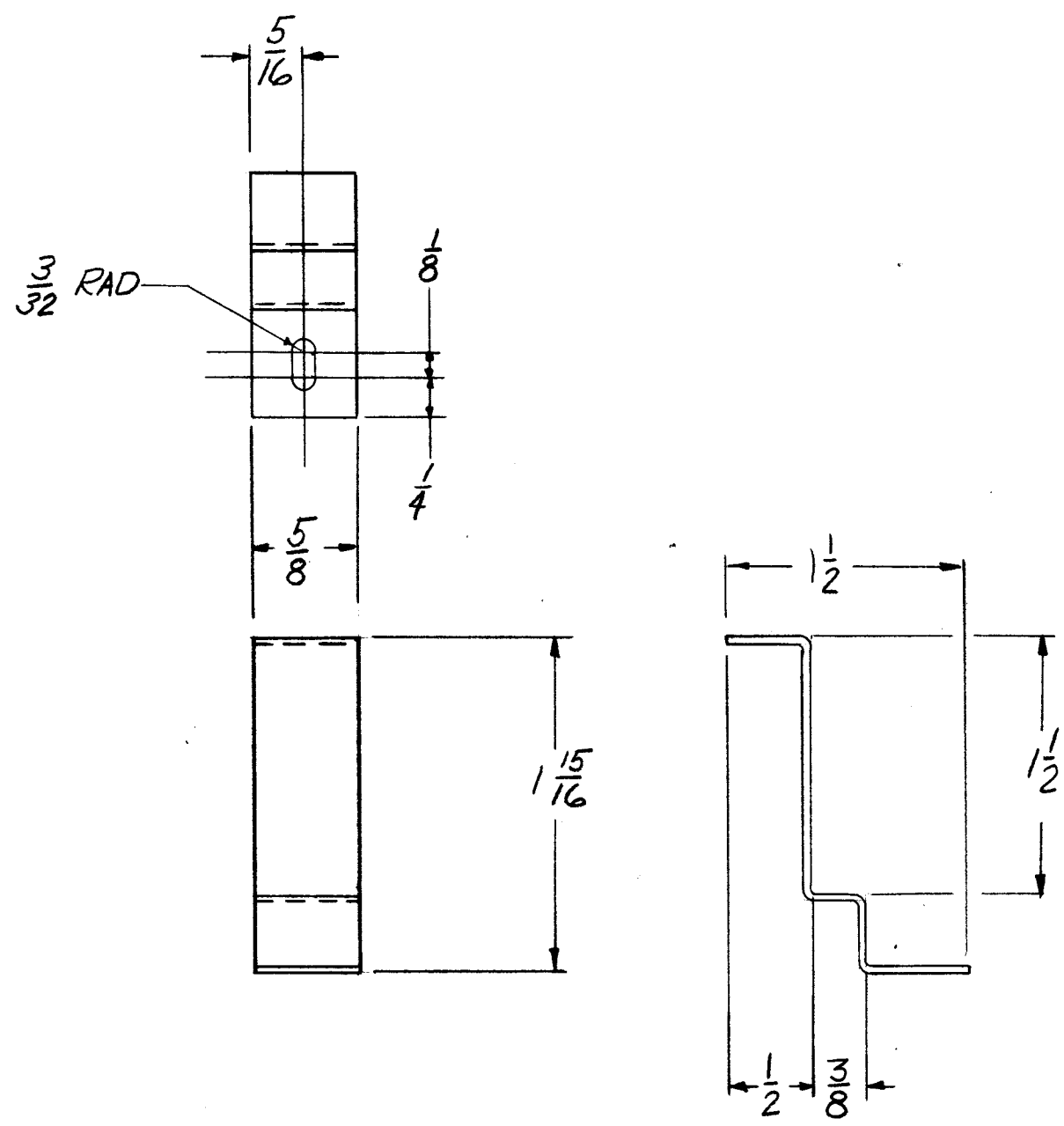
4

3

2

1

REVISIONS						
ZONE	LTR	DESCRIPTION	DATE	E.M.N.NO	DRAFT	CHKD APPD



<i>6/13C</i>		<i>BA71</i>	
QTY / UNIT	MODEL USED ON	ASS'Y NO.	
APPLICATION			
CODE			
<p>NOTICE TO PERSONS RECEIVING THIS DRAWING THE TECHNICAL MATERIEL CORPORATION claims proprietary right in the material disclosed hereon. This drawing is issued in confidence for engineering information only and may not be reproduced or used to manufacture anything shown hereon without permission from THE TECHNICAL MATERIEL CORPORATION to the user. This drawing is loaned for mutual assistance and is subject to recall at any time.</p>			

UNLESS OTHERWISE SPECIFIED DIMENSIONS ARE IN INCHES AND INCLUDE CHEMICALLY APPLIED OR PLATED FINISHES	
DECIMALS .X ± .05 .XX ± .01 .XXX ± .005	FRACTIONS 1/64 TOLS. ANGLES 0° 30'
MATERIAL <i>.064 ALUM</i> <i>5052-H32</i>	
FINISH <i>3A04 IRIDITE</i>	

REQ'D	ITEM	PART NUMBER	DESCRIPTION	SYM.
LIST OF MATERIAL				
FINAL APPROVAL <i>SMM</i>		DATE <i>6-1-68</i>	THE TECHNICAL MATERIEL CORP. MAMARONECK, NEW YORK	
MECH. DES. <i>CB</i>		DATE <i>3-1-68</i>		
ELECT. DES. <i>CB</i>		DATE <i>3-1-68</i>	<i>CLIP</i> <i>UNIT 13C</i>	
CHECKED <i>CB</i>		DATE <i>5-7-68</i>		
DRAWN <i>CB</i>		DATE <i>3-5-68</i>	SIZE B	CODE IDENT. NO. 82679
			DWG NO. MS 8207	ISSUE Ø
SCALE			SHEET	OF