

5

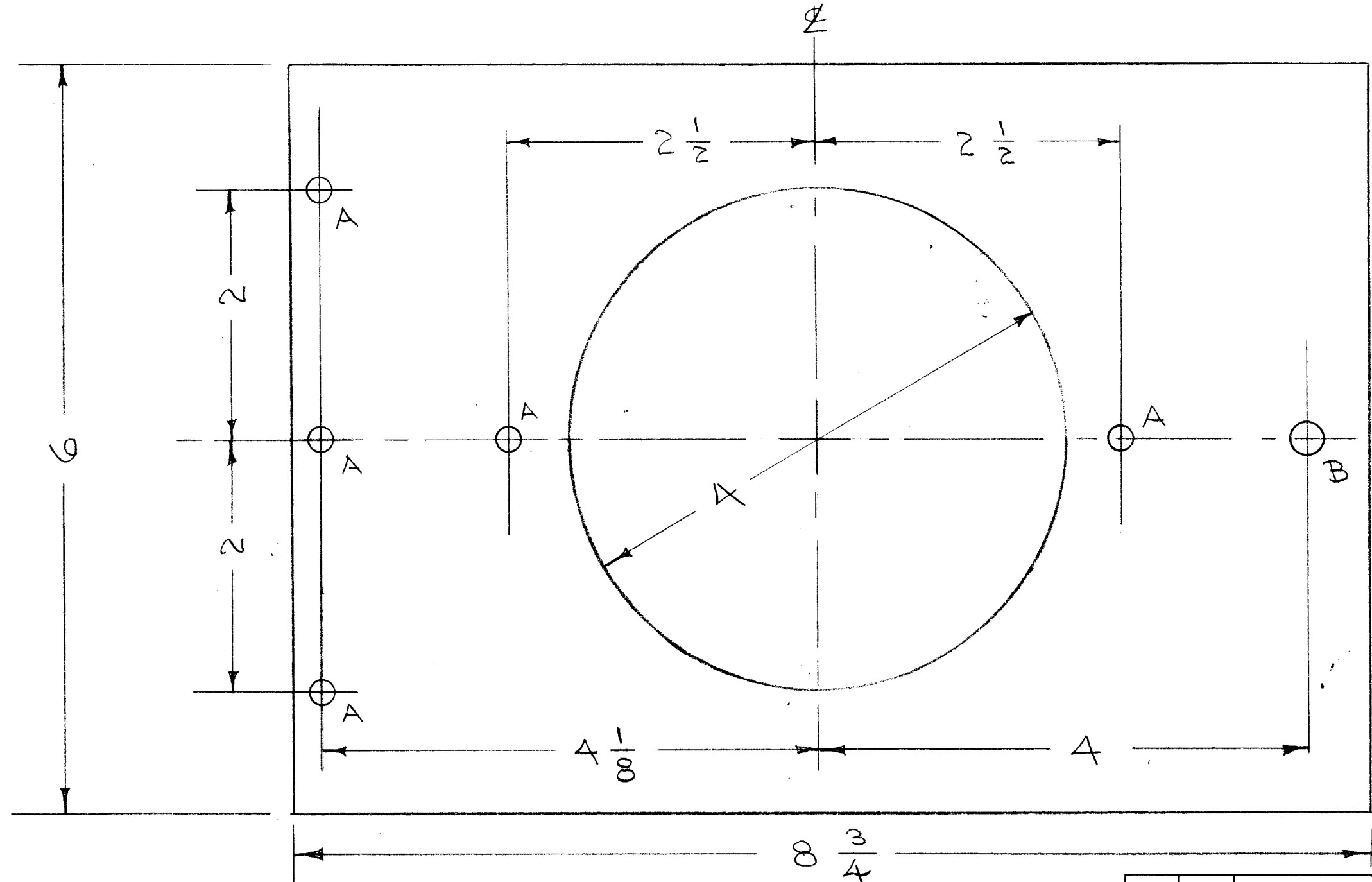
4

3

2

1

REVISIONS						
ZONE	LTR	DESCRIPTION	DATE	E.M.N.NO	DRAFT	APPD
A		MATL WAS 3/16 THK	1-17-68			



HOLES
 A - 3/16 (.187) DIA 5 REQ
 B - 1/4 (.250) " 1 "

REQ'D	ITEM	PART NUMBER	DESCRIPTION	SYM.
LIST OF MATERIAL				
THE TECHNICAL MATERIEL CORP. MAMARONECK, NEW YORK				
DOOR, 24 HR CLOCK				
SIZE	CODE IDENT. NO.	DWG NO.	ISSUE	
B	82679	MS 8086	Ø	
SCALE			SHEET OF	
			1	

QTY / UNIT	MODEL USED ON	ASS'Y NO.
1	AX800V	
APPLICATION		
CODE		
<p>NOTICE TO PERSONS RECEIVING THIS DRAWING THE TECHNICAL MATERIEL CORPORATION claims proprietary right in the material disclosed hereon. This drawing is issued in confidence for engineering information only and may not be reproduced or used to manufacture anything shown hereon without permission from THE TECHNICAL MATERIEL CORPORATION to the user. This drawing is loaned for mutual assistance and is subject to recall at any time.</p>		

UNLESS OTHERWISE SPECIFIED DIMENSIONS ARE IN INCHES AND INCLUDE CHEMICALLY APPLIED OR PLATED FINISHES

DECIMALS	FRACTIONS
.X ± .05	1/64
.XX ± .01	TOLS. ANGLES
.XXX ± .005	0° -30'

MATERIAL .064 THK
 5052 H32
 ALUMINUM

FINISH S464 IRIDITE
 S114 PRIMER
 S115 ENAMEL

FINAL APPROVAL *[Signature]* DATE 12/17/67

MECH. DES. DATE

ELECT. DES. DATE

CHECKED G. CRANDI DATE 12-13-67

DRAWN C. IDEAN DATE 11-28-67

FRONT & EDGES ONLY