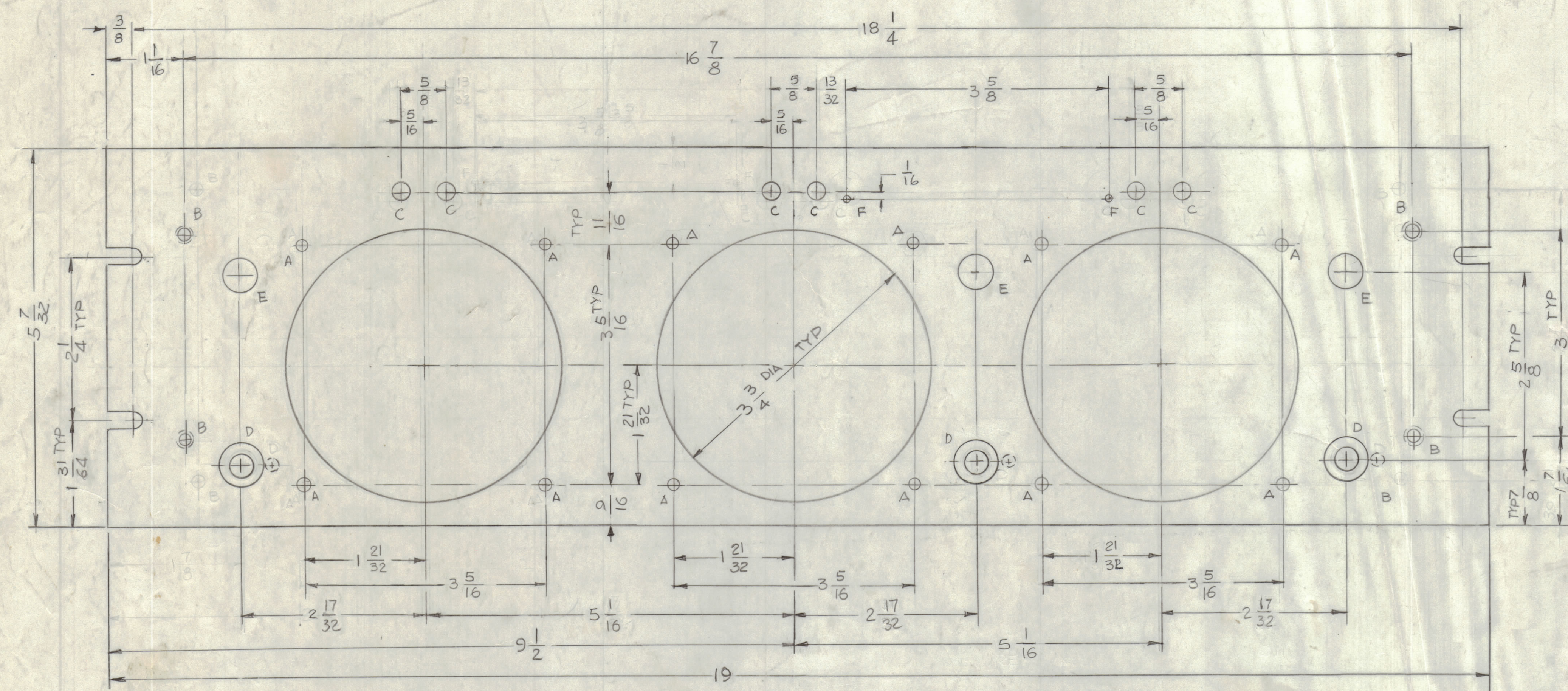


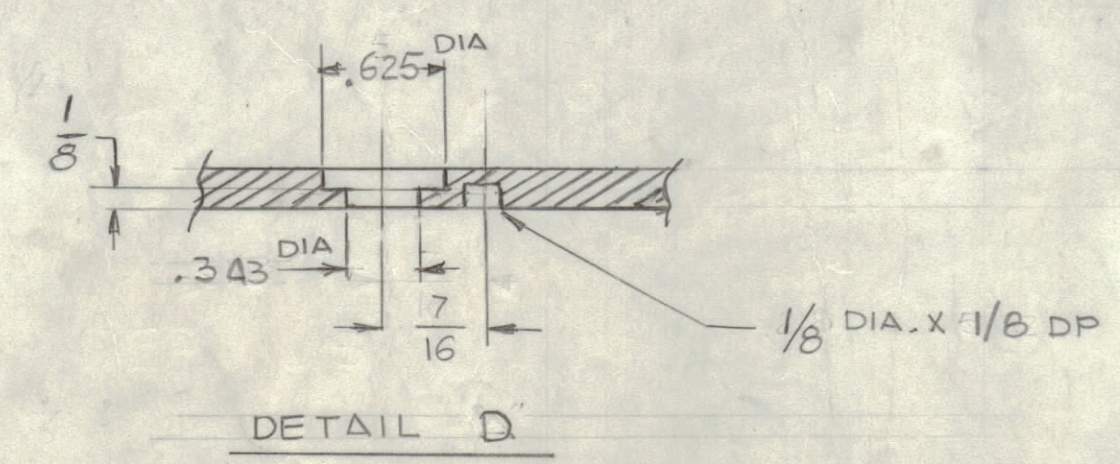
REVISIONS							
E.M.N.O	DRAFT	CHKD	ZONE	LTR	DESCRIPTION	DATE	APPROVED
	GDL			A	ORIGINAL RELEASE FOR PRODUCTION	6-27-89	
	GDL			A	4" HOLE RELOCATED HERE FOR TWO PHASE ADD	12-4-90	
	GDL			B	DIMENSION 3" WAS 2 7/8	2-5-92	
	GDL			C	DIM 1 7/8 WAS 1/4"	2-13-92	



- HOLE:
- A - 13/64 DIA 12 REQ'D
 - B - .169 DIA Ø SK 82 TO .337 DIA 4 REQ'D
 - C - 17/64 DIA 6 REQ'D
 - D - SEE DETAIL 'D' 3 REQ'D 3 REQ'D ON FRONT
 - E - 5/8 DIA 3 REQ'D
 - F - DRILL #47 2 REQ'D

- MACHINING -
- 1 - LATERAL BOW PANEL MUST BE KEEP WITHIN 1/32
 - 2 - MILL EDGES.
 - 3 - HOLES MUST BE DRILLED
 - 4 - PANEL MUST BE FREE OF ALL MACHINING MARKS, GOUGES & SCRATCHES

- FINISH NOTES:
- S404 - YELLOW IRIDITE
 - S114 - ZINC CHROMATE PRIMER] FINISH FRONT & EDGES ONLY
 - S115 - SMOOTH GREY ENAMEL]



REF: LD 3167

BSP-3DS		
QTY / UNIT	MODEL USED ON	ASS'Y NO.
APPLICATION		
CODE		

NOTICE TO PERSONS RECEIVING THIS DRAWING
 THE TECHNICAL MATERIEL CORPORATION claims proprietary right in the material disclosed hereon. This drawing is issued in confidence for engineering information only and may not be reproduced or used to manufacture anything shown hereon without permission from THE TECHNICAL MATERIEL CORPORATION. It is loaned for mutual assistance and is subject to recall at any time.

UNLESS OTHERWISE SPECIFIED DIMENSIONS ARE IN INCHES AND INCLUDE CHEMICALLY APPLIED OR PLATED FINISHES	
TOLERANCES ON DECIMALS X ± .05 XX ± .01 XXX ± .005	FRACTIONS ± 1/64 ANGLES ± 0° - 30'

QTY. REQ.	ITEM	PART NO.	DESCRIPTION	SYMBOL
LIST OF MATERIAL				
THE TECHNICAL MATERIEL CORP. MAMARONECK, NEW YORK				
PANEL, FRONT MACHINING				
MATERIAL 3/16 T14 ALY 2024-T3		SIZE CODE IDENT NO. DWG NO.		ISSUE
FINISH SEE FINISH NOTES		D 82679 MS 7211		0
SCALE 1:1			SHEET OF	

MS 7211