

APPLICATION

QTY MODEL USED ON
AW 101-4

ASS'Y NO.

LTR

DESCRIPTION

DATE

E.M.N.NO

DRAFT

CHKD

APPD

ORIGINAL RELEASE FOR PROD 1-3-99

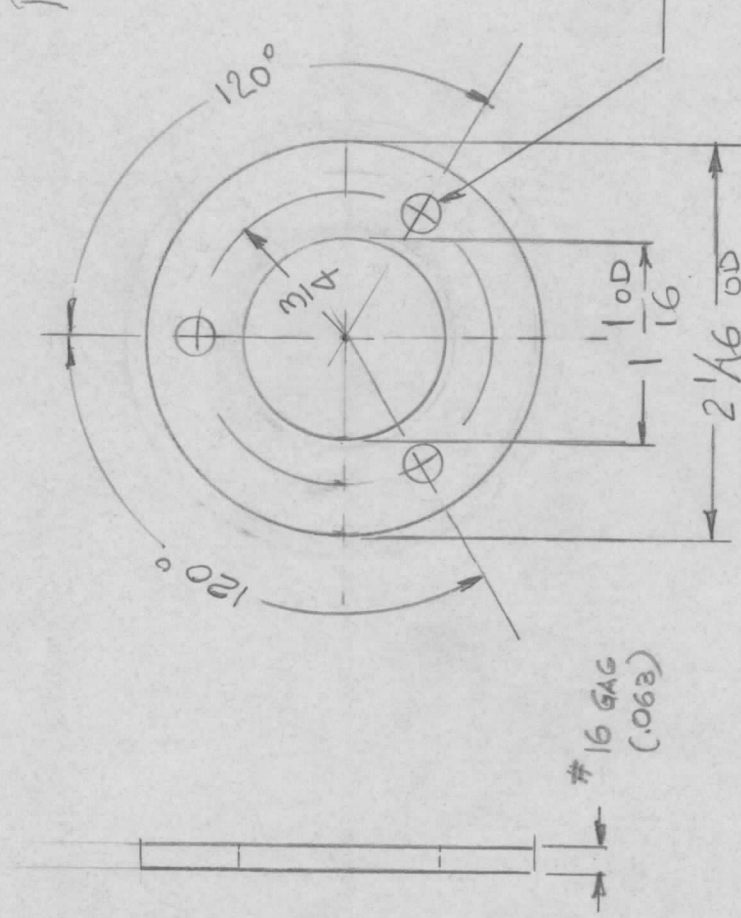
3-12-91

A. NOTE ADDED

GDL

REVISIONS

NOTE
OBSOLETE
Replace By
MS 7255



16 GAG
(.063)

13/64 DIA PUNCHED
HOLES 120° APART (3REQ)

REQ'D	ITEM	PART NUMBER	DESCRIPTION	SYM.
LIST OF MATERIAL				
THE TECHNICAL MATERIEL CORP. MAMARONECK, NEW YORK				
GUY RING ANTENNA				
UNLESS OTHERWISE SPECIFIED DIMENSIONS ARE IN INCHES AND INCLUDE CHEMICALLY APPLIED OR PLATED FINISHES				
DECIMALS	FRACTIONS			
.X ± .05	TOLS. 1/64	FINAL APPROVAL	DATE	
.XX ± .01	ANGLES 0° - 30'	MECH. DES.	DATE	
.XXX ± .005		ELECT. DES.	DATE	
MATERIAL 16 GAG Cold ROLLED SS		CHECKED	DATE	
FINISH		DRAWN	DATE	
PASSIVATE		GDL	2-2-89	
NOTICE TO PERSONS RECEIVING THIS DRAWING				
THE TECHNICAL MATERIEL CORPORATION claims proprietary right in the material disclosed hereon. This drawing is issued in confidence for engineering information only and may not be reproduced or used to manufacture anything shown hereon without permission from THE TECHNICAL MATERIEL CORPORATION to the user. This drawing is loaned for mutual assistance and is subject to recall at any time.				
SIZE	CODE IDENT. NO.	DWG NO.	ISSUE	
A	82679	MS 7203	A	
SCALE	1:1	SHEET	OF	