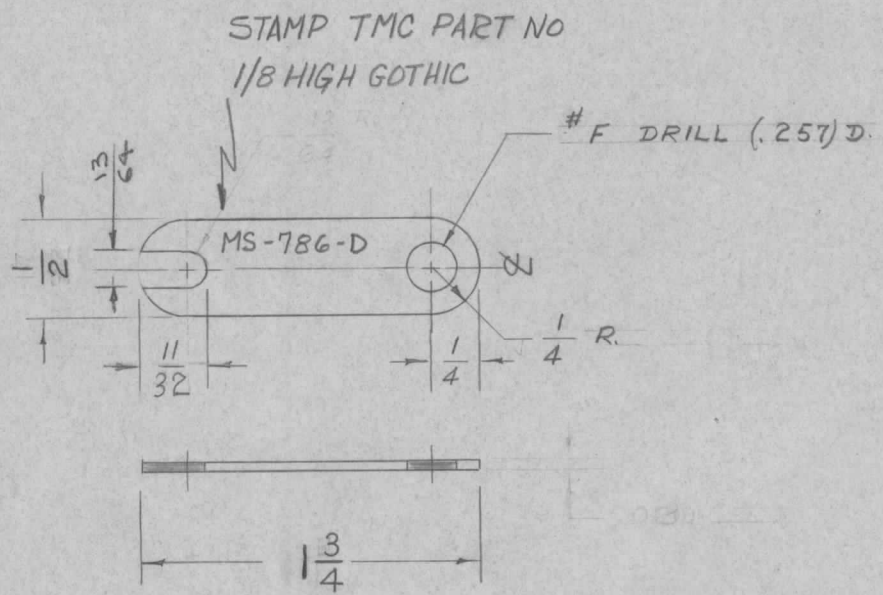


REQ. PER UNIT	USED ON		
	MODEL	ASS'Y. NO.	DATE
1	R.T.F.		1-11-56
1	RTF-2		11-10-58

MS-786 D



ISSUE	ITEM	CHANGED FROM	DATE	CH. NO.	DRAFTS	CHECKER	ENG. APP.	REQ. ITEM	PART NO.	DESCRIPTION	SYMBOL								
D	1	STOCK SIZE WAS .013	10-11-62	7417	JH	JH	JH												
C	2	1/2 WAS 17/32	11/8/56	3	LG	JH	JH		.016	THE TECHNICAL MATERIEL CORP. MAMARONECK. NEW YORK MOUNTING PLATE, CONDENSER POW/AMP									
	1	13/4 WAS 1 1/16							STOCK SIZE										
B	2	17/32 WAS 1/2	4-3-56	2	P.B.	JH	JH		SOFT COPPER										
	1	1 1/16 WAS 13/4							MATERIAL										
A	2	STOCK SIZE WAS .021	1-26-56	1	B	JH	JH												
	1	1/2 WAS 1/4 (ERROR)																	
TOLERANCES			SCALE:					#		PB 1-11-56									
DEC. DIM. ±			MAXIMUM ALLOWABLE TOLERANCES HAVE BEEN DETERMINED AND ANY DEVIATIONS WILL BE CAUSE FOR REJECTION. REMOVE ALL BURRS AND SHARP EDGES					TYPE & TEMPER		HEAT TREAT. SPEC.		DRAWN		CHECKED		FINAL APPROVAL			
FRAC. DIM. ± 1/64								S-245 SILVER PLATE		.0005		1/11/58		JH		MS-786		D	
ANGULAR DIM. ±								FINISH & SPEC. NO.		ELEC. DES. APP.		MECH. DES. APP.							