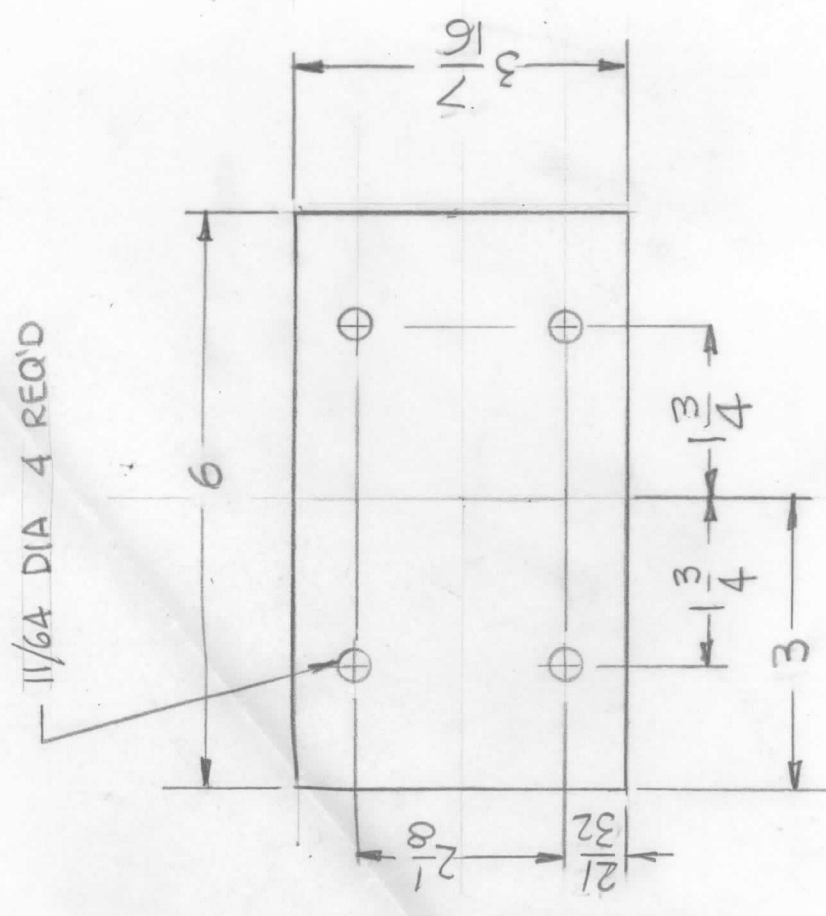
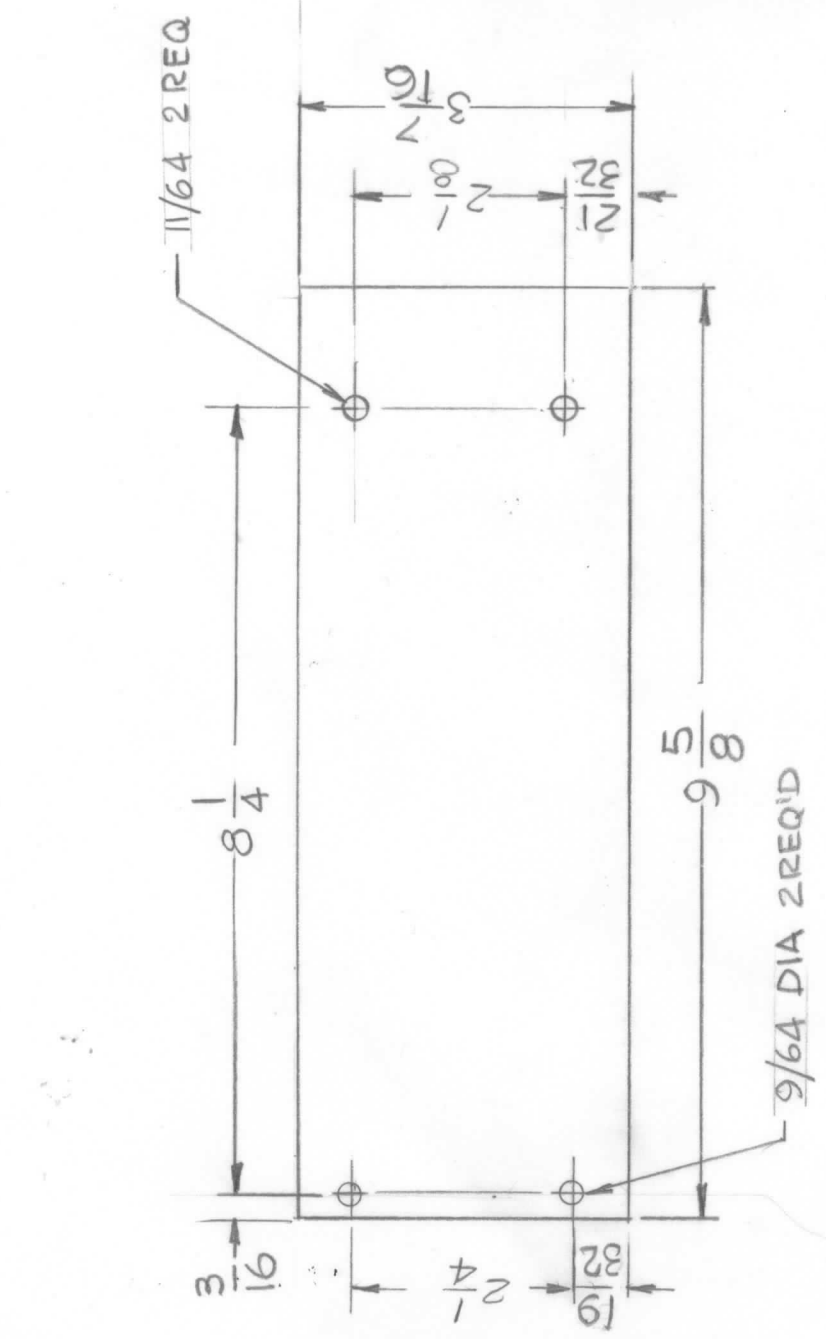


1 2 3 4 5

| | | | |
|-------------|-------|------|----------|
| REVISIONS | | DATE | APPROVED |
| E.M.N. NO. | DRAFT | CHKD | ZONE |
| | | | LTR |
| DESCRIPTION | | | |



MS - 1 (1 REQ)



MS - 2 (1 REQ)

FINISH NOTE:

- S404 - IRIDITE 14-2 AL-COAT.
 - S114 - ZINC CHROMATE PRIMER
 - S115 - SMOOTH GRAY ENAMEL
- FRONT AND EDGES ONLY
- OR
- PRIME AND PAINT PER CUSTOMER'S SPECIFICATIONS

NOTICE TO PERSONS RECEIVING THIS DRAWING
 THE TECHNICAL MATERIEL CORPORATION claims proprietary right in the material disclosed hereon. This drawing is issued in confidence for engineering information only and may not be reproduced or used to manufacture anything shown hereon without permission from THE TECHNICAL MATERIEL CORPORATION to the user. This drawing is loaned for mutual assistance and is subject to recall at any time.

| | | | |
|---|-----------------|------------------------------|-------|
| REQ'D ITEM | PART NUMBER | DESCRIPTION | SYM. |
| LIST OF MATERIAL | | | |
| THE TECHNICAL MATERIEL CORP. MAMARONECK, NEW YORK | | | |
| FINAL APPROVAL | DATE | DATE | DATE |
| MECH. DES. | | | |
| ELECT. DES. | | | |
| CHECKED | | | |
| DRAWN | G.D.L | | |
| UNLESS OTHERWISE SPECIFIED DIMENSIONS ARE IN INCHES AND INCLUDE CHEMICALLY APPLIED OR PLATED FINISHES | | FRACTIONS 1/64 ANGLES 0°-30' | |
| DECIMALS .X ± .05 .XX ± .01 .XXX ± .005 | | MATERIAL .051 THK | |
| ALUM - 5052 -H32 | | FINISH SEE NOTF | |
| SIZE | CODE IDENT. NO. | DWG NO. | ISSUE |
| B | 82679 | MS 7070 | X |
| SCALE | 1/2 | SHEET | OF |
| | | 1 | 1 |