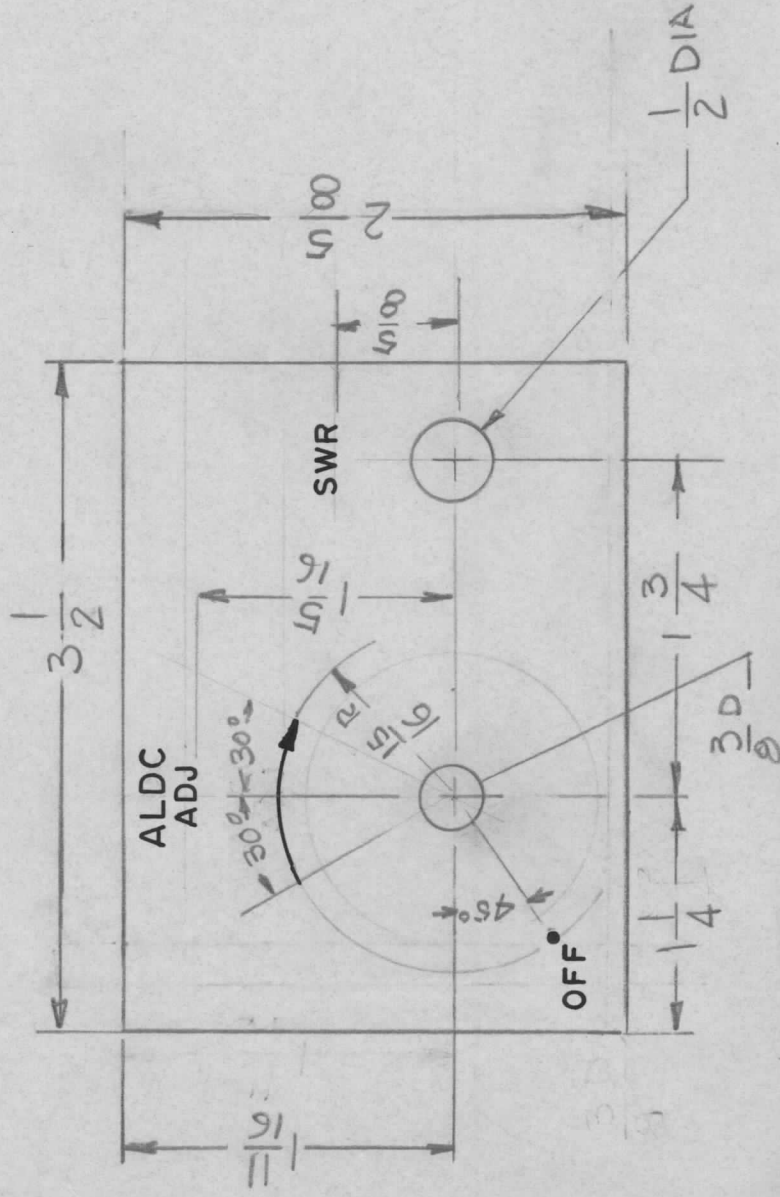


APPLICATION

REVISIONS

QTY	MODEL USED ON	ASS'Y NO.	LTR	DESCRIPTION	DATE	E.M.N.NO	DRAFT	CHKD	APPD
5	GPT-10K								



FINISH NOTES:

1. S404 - IRIDITE 14-2 AL-COAT.
2. S114 - ZINC CHROMATE PRIMER } FRONT AND
3. S115 - SMOOTH GRAY ENAMEL } EDGES ONLY

PRIME AND PAINT PER CUSTOMER'S SPECIFICATIONS
OR

MARK WHITE

UNLESS OTHERWISE SPECIFIED DIMENSIONS ARE IN INCHES AND INCLUDE CHEMICALLY APPLIED OR PLATED FINISHES		REQ'D	ITEM	PART NUMBER	DESCRIPTION	SYM.
DECIMALS	FRACTIONS	LIST OF MATERIAL				
.X ± .05	TOLS. 1/64	FINAL APPROVAL	DATE	THE TECHNICAL MATERIEL CORP.		
.XX ± .01	ANGLES 0° - 30'	MECH. DES.	DATE	MAMARONECK, NEW YORK		
.XXX ± .005		ELECT. DES.	DATE	COVER PLATE		
		CHECKED	DATE	(USED FOR MS2456)		
		DRAWN G.D.L	DATE	SIZE	CODE IDENT. NO.	DWG NO.
MATERIAL .051 THK				A	82679	MS 7069
AWM 5052-H32						
FINISH				SCALE 1:1	SHEET	OF
						ISSUE
						X

NOTICE TO PERSONS RECEIVING THIS DRAWING
THE TECHNICAL MATERIEL CORPORATION claims proprietary right in the material disclosed hereon. This drawing is issued in confidence for engineering information only and may not be reproduced or used to manufacture anything shown hereon without permission from THE TECHNICAL MATERIEL CORPORATION to the user. This drawing is loaned for mutual assistance and is subject to recall at any time.