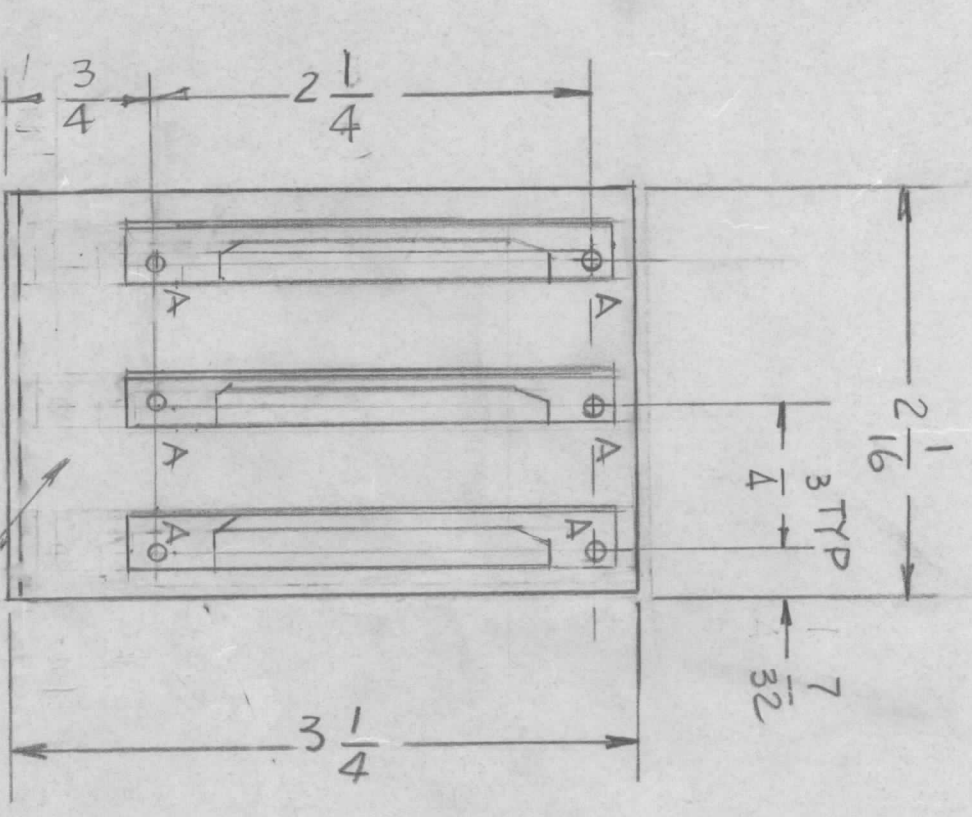
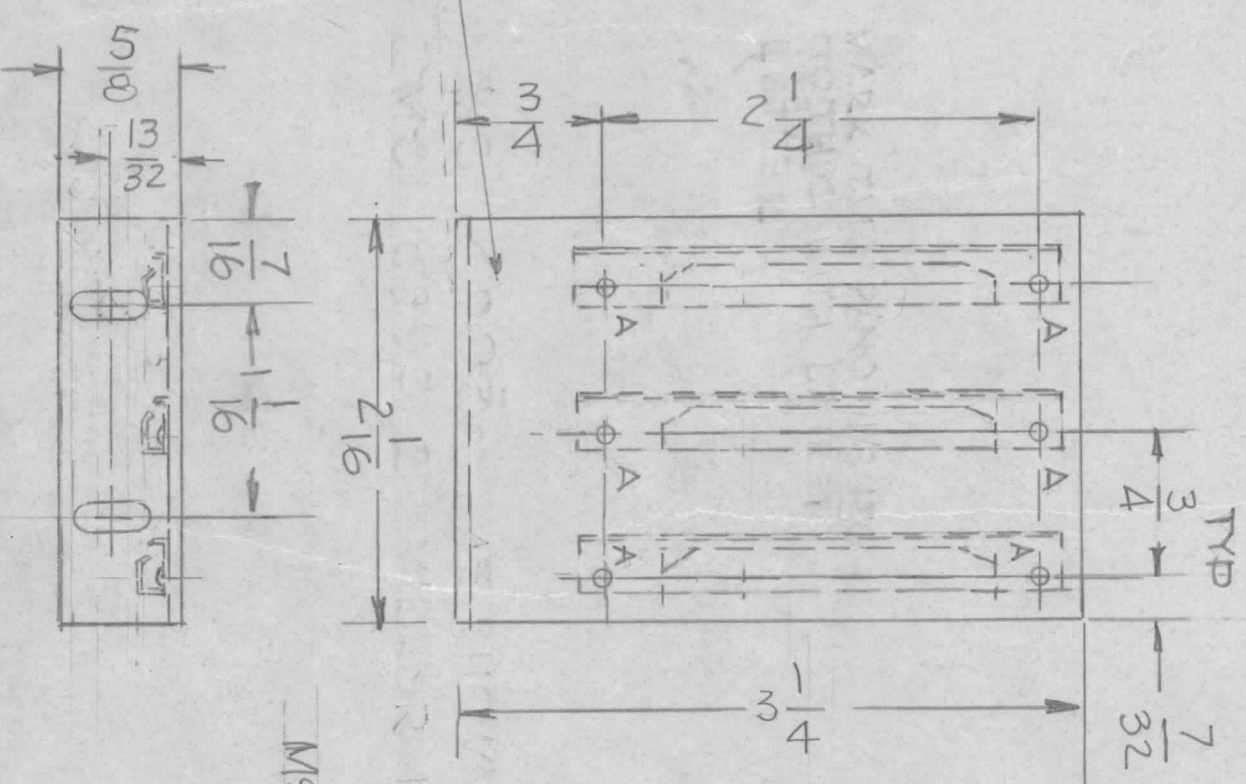


| EMN NO. | DRAFT | CHKD | ZONE | LTR | DESCRIPTION | DATE | APPROVED |
|---------|-------|------|------|-----|--|---------|----------|
| | GDL | | | X1 | DIM'S 2 1/4 & 3/4 WERE 2 3/4 & 1/4 ITEM 1 WAS CU1001S | 3-24-80 | |
| | GDL | | | X2 | REMOVE ALL RIGHTSIDE BEND | 4-19-81 | |
| | GDL | | | X3 | MS6993-2 PICT. ADD | 8-27-82 | |

REVISIONS



MARK TMC P/NO
1/8 HIGH GOTHIC
W/LATEST REV.
LETTER



HOLE:

A - .067 DIA 6 REQ'D
B - 9/64 x 9/32 SLOT 2 REQ'D

MS6993-2

| REQ'D | ITEM | PART NUMBER | DESCRIPTION | SYM. |
|-------|------|-------------|---------------------|------|
| 6 | 2 | EY100-5 | EYELET, FLAT FLANGE | |
| 3 | 1 | CU157-3 | RETAINER P.C. BD | |

LIST OF MATERIAL

THE TECHNICAL MATERIEL CORP.
MAMARONECK, NEW YORK

BRACKET, CARD FILE

| | | |
|------------|---------------|----------|
| QTY / UNIT | MODEL USED ON | ASSY NO. |
| | SME-5 | |
| | APPLICATION | |
| | CODE | |

| | |
|--------------|-----------|
| DECIMALS | FRACTIONS |
| .X ± .05 | 1/64 |
| .XX ± .01 | ANGLES |
| .XXX ± .005 | 0° - 30° |
| FINISH | |
| S404 | |
| YEL. IRIDITE | |

| | |
|----------------|------|
| FINAL APPROVAL | DATE |
| MECH. DES. | DATE |
| ELECT. DES. | DATE |
| CHECKED | DATE |
| DRAWN | DATE |

| | | | |
|-------|-----------------|---------|-------|
| SIZE | CODE IDENT. NO. | DWG NO. | ISSUE |
| B | 82679 | MS6993- | X3 |
| SCALE | 1:1 | SHEET | OF |

NOTICE TO PERSONS RECEIVING THIS DRAWING
THE TECHNICAL MATERIEL CORPORATION claims proprietary right in the material disclosed hereon. This drawing is issued in confidence for engineering information only and may not be reproduced or used to manufacture anything shown hereon without permission from THE TECHNICAL MATERIEL CORPORATION to the user. This drawing is loaned for mutual assistance and is subject to recall at any time.

MS6993-1