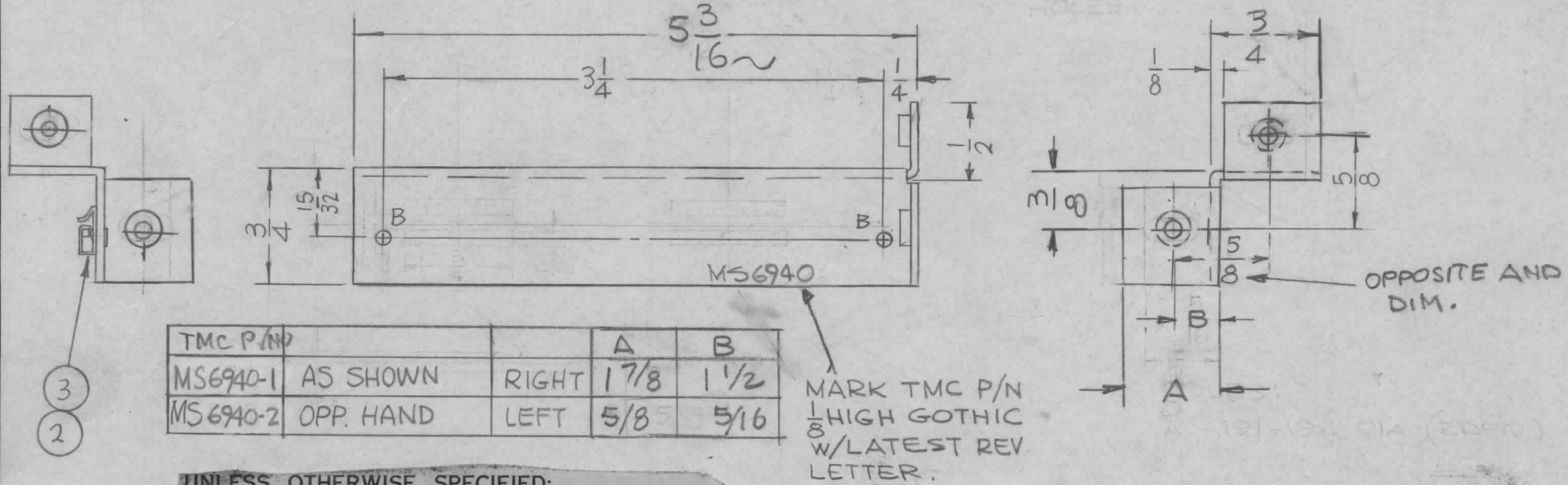


HOLES:

A - .191 - .194 DIA 4 REQ'D
 B - 5/64 DIA 2 REQ

REQ. PER UNIT	USED ON		
	MODEL	ASS'Y. NO.	DATE
2	MFT-10K/J	AX5240	

MS6940 \emptyset



TMC P/N			A	B
MS6940-1	AS SHOWN	RIGHT	1 7/8	1 1/2
MS6940-2	OPP. HAND	LEFT	5/8	5/16

- UNLESS OTHERWISE SPECIFIED:**
1. USE MATERIAL THICKNESS FOR MAXIMUM RADIUS ON ALL BENDS
 2. ALL ANGULAR BENDS 90 DEGREES
 3. REMOVE ALL BURRS AND SHARP EDGES
 4. MOUNT ITEMS 1,2,3 AFTER FINISHING

REQ.	ITEM	PART NO.	F. BUDETTI DESCRIPTION	SYMBOL
2	3	EY100-5	EYELET, FLAT FLANGE	B
1	2	CU157-4	RETAINER PC BOARD	B
4	1	NT129-632-4	NUT, ROUND	A

SYM	DESCRIPTION	DATE	CH. NO.	DRAFTS	CHECKER	ENG. APP.
\emptyset	ORIGINAL RELEASE	9-21-79	A	MTC		FB
UNLESS OTHERWISE SPECIFIED DIMENSIONS ARE IN INCHES AND INCLUDE CHEMICALLY APPLIED OR PLATED FINISHES		SCALE 1:1				
DECIMALS .X \pm .05 .XX \pm .01 .XXX \pm .005	TOLERANCES	FRACTIONS \pm 1/64 ANGLES \pm 0° 30'	CODE A			

REQ.	ITEM	PART NO.	F. BUDETTI DESCRIPTION	SYMBOL
.064			THE TECHNICAL MATERIEL CORP. MAMARONECK, NEW YORK	
STOCK SIZE				
ALUMINUM			BRACKET, MTG PC BOARD (SERVO)	
MATERIAL				
5052-H32				
TYPE & TEMPER		HEAT TREAT. SPEC.	DRAWN	CHECKED
S404 YEL IRIDITE			G.D.C.	
FINISH & SPEC. NO.		ELEC. DES. APP.	MECH. DES. APP.	
				MS6940 \emptyset