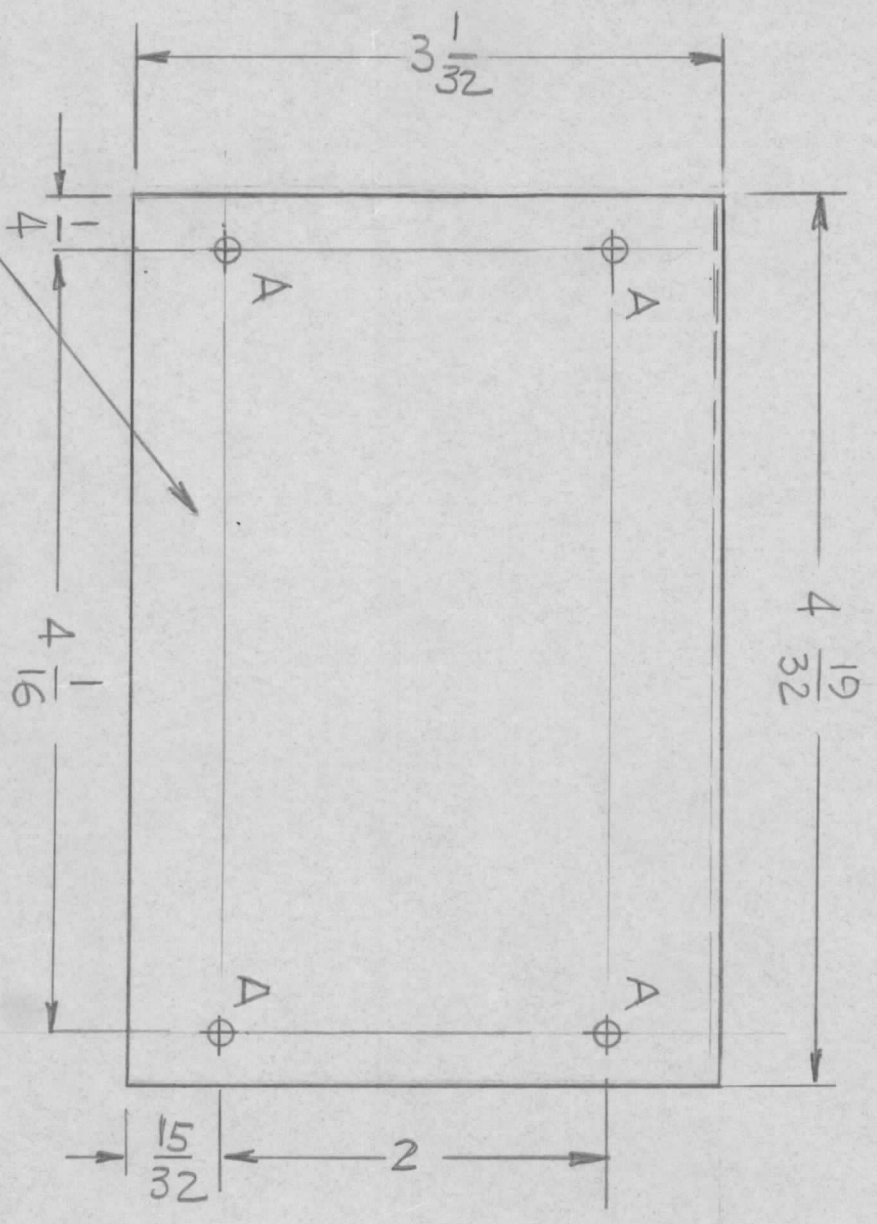
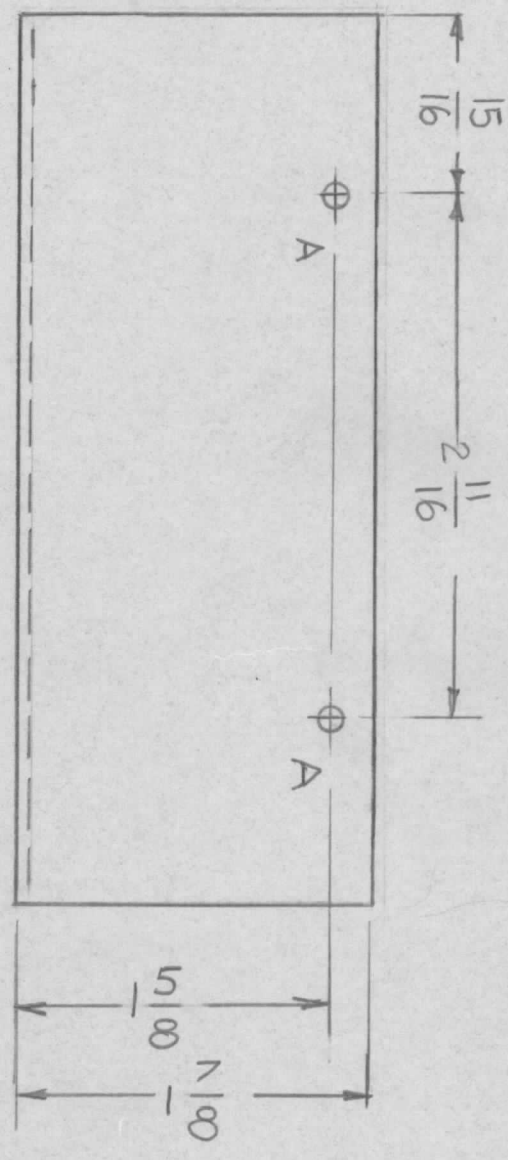


| REVISIONS |       |      |      |     |                                 |         |          |
|-----------|-------|------|------|-----|---------------------------------|---------|----------|
| EMIN. NO. | DRAFT | CHKD | ZONE | LTR | DESCRIPTION                     | DATE    | APPROVED |
| #         | MAC   |      |      |     | ORIGINAL RELEASE FOR PRODUCTION | 9-20-79 | FB       |



HOLE S :  
A - 5/32 DIA 6 REQ'D

MARK TMC PART NUMBER  
1/8 HIGH GOTHIC WITH LATEST  
REVISION LETTER

|             |   |               |           |           |         |
|-------------|---|---------------|-----------|-----------|---------|
| QTY / UNIT  | 1 | MODEL USED ON | MFT-10K/5 | ASS'Y NO. | BMA 560 |
| APPLICATION |   | CODE          |           |           |         |

NOTICE TO PERSONS RECEIVING THIS DRAWING  
THE TECHNICAL MATERIEL CORPORATION claims proprietary right in the material disclosed hereon. This drawing is issued in confidence for engineering information only and may not be reproduced or used to manufacture anything shown hereon without permission from THE TECHNICAL MATERIEL CORPORATION to the user. This drawing is loaned for mutual assistance and is subject to recall at any time.

|   |                |           |
|---|----------------|-----------|
| UNLESS OTHERWISE SPECIFIED DIMENSIONS ARE IN INCHES AND INCLUDE CHEMICALLY APPLIED OR PLATED FINISHES | DECIMALS       | FRACTIONS |
| .X ± .05  | 1/64           |           |
| .XX ± .01   | TOLS.          | ANGLES    |
| .XXX ± .005   |                | 0° - 30'  |
| FINISH  | S404           |           |
| MATERIAL  | ALUM. 5052-H32 |           |
| FINISH  | VEL. IRIDITE   |           |

|                |             |      |
|----------------|-------------|------|
| REQ'D ITEM     | PART NUMBER | DATE |
|                |             |      |
| FINAL APPROVAL | MECH. DES.  | DATE |
|                |             |      |
| ELECT. DES.    | CHECKED     | DATE |
|                |             |      |
| DRAWN          | DATE        |      |
| G.D.L.         | 8-24-78     |      |

|                              |                 |         |       |
|------------------------------|-----------------|---------|-------|
| LIST OF MATERIAL             |                 |         |       |
| THE TECHNICAL MATERIEL CORP. |                 |         |       |
| MAMARONECK, NEW YORK         |                 |         |       |
| COVER, BCK. MICROSWITCH      |                 |         |       |
| SIZE                         | CODE IDENT. NO. | DWG NO. | ISSUE |
| B                            | 82679           | MS6936  | Ø     |
| SCALE                        | 1:1             | SHEET   | OF    |