

APPLICATION

REVISIONS

QTY 1

MODEL USED ON DPC-10

ASS'Y NO.

LTR

DESCRIPTION

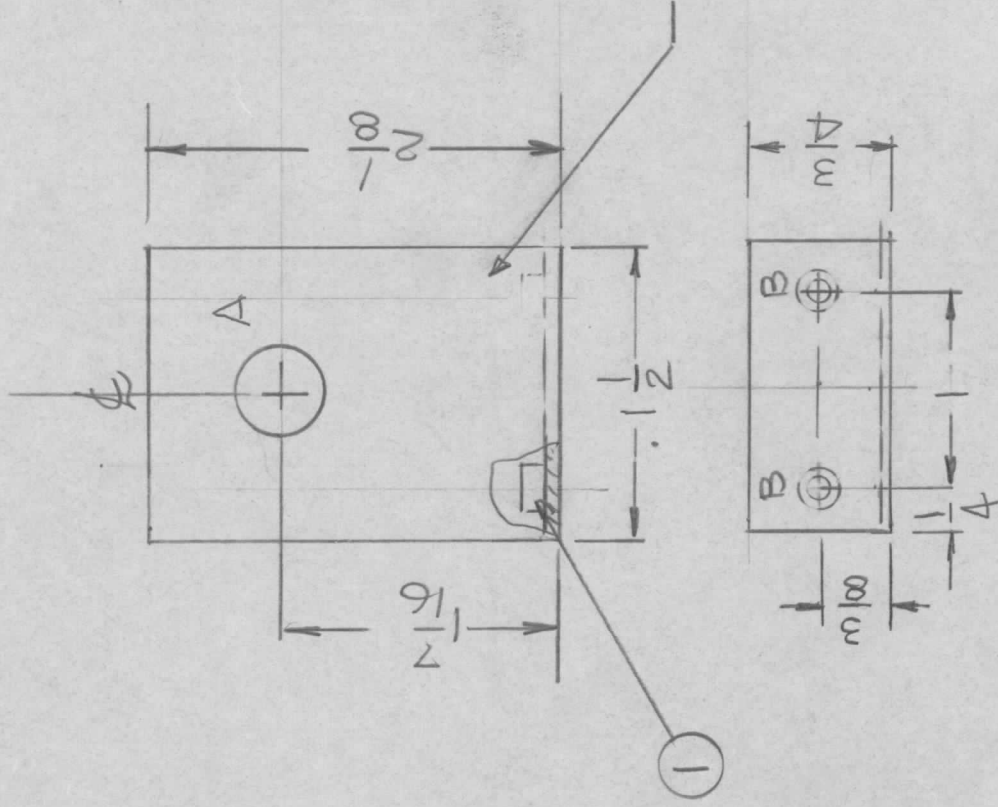
DATE

E.M.N.NO

DRAFT

CHKD

APPD



A - 15/32 DIA
 B - .161 - .164 DIA
 2 REQ'D

MARK TMC P/NO
 1/8 HIGH GOTHIC
 W/LATEST REV.
 LETTER

REQ'D	ITEM	PART NUMBER	DESCRIPTION	SYM.
2	1	NT129 04464	NUT, ROUND	B

LIST OF MATERIAL

FINAL APPROVAL	DATE	MECH. DES.	DATE	ELECT. DES.	DATE	CHECKED	DATE	DRAWN	DATE
DOB	7/11/68							G.D.L	6-20-30

THE TECHNICAL MATERIEL CORP.
 MAMARONECK, NEW YORK

BRACKET MTG. SW. PWR.

SIZE A	CODE IDENT. NO. 82679	DWG NO. MS 6916	ISSUE
SCALE 1:1	SHEET	OF	

NOTICE TO PERSONS RECEIVING THIS DRAWING
 THE TECHNICAL MATERIEL CORPORATION claims proprietary right in the material disclosed hereon. This drawing is issued in confidence for engineering information only and may not be reproduced or used to manufacture anything shown hereon without permission from THE TECHNICAL MATERIEL CORPORATION to the user. This drawing is loaned for mutual assistance and is subject to recall at any time.