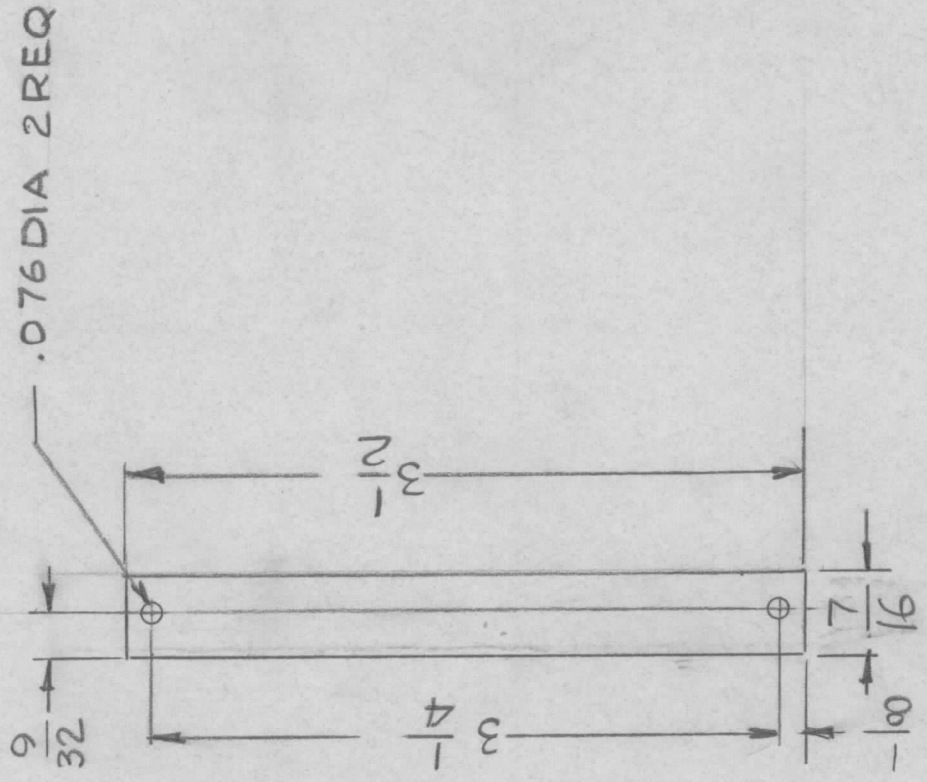


APPLICATION

REVISIONS

QTY	MODEL USED ON	ASS'Y NO.	LTR	DESCRIPTION	DATE	E.M.N.NO	DRAFT	CHKD	APPD
2	MMXR-2		Φ	ORIGINAL RELEASE	6-5-78	4	GDL	W/S	*



UNLESS OTHERWISE SPECIFIED DIMENSIONS ARE IN INCHES AND INCLUDE CHEMICALLY APPLIED OR PLATED FINISHES	REQ'D	ITEM	PART NUMBER	DESCRIPTION	SYM.
	LIST OF MATERIAL				
DECIMALS					
FRACTIONS					
.X ± .05 TOLS.					
.XX ± .01 ANGLES					
.XXX ± .005 1/64 0°-30'					
MATERIAL .051THK					
ALY. 5052-H32					
FINISH S404					
YEL IRIDITE					
FINAL APPROVAL	DATE				
* GDB	8/4/78				
MECH. DES.	DATE				
ELECT. DES.	DATE				
CHECKED	DATE				
DRAWN	G.D.L	DATE	3-10-78		
THE TECHNICAL MATERIEL CORP. MAMARONECK, NEW YORK					
SPACER					

SIZE	CODE IDENT. NO.	DWG NO.	ISSUE
A	82679	MS 6874	Ø
SCALE	1:1	SHEET	OF

NOTICE TO PERSONS RECEIVING THIS DRAWING
 THE TECHNICAL MATERIEL CORPORATION claims proprietary right in the material disclosed hereon. This drawing is issued in confidence for engineering information only and may not be reproduced or used to manufacture anything shown hereon without permission from THE TECHNICAL MATERIEL CORPORATION to the user. This drawing is loaned for mutual assistance and is subject to recall at any time.