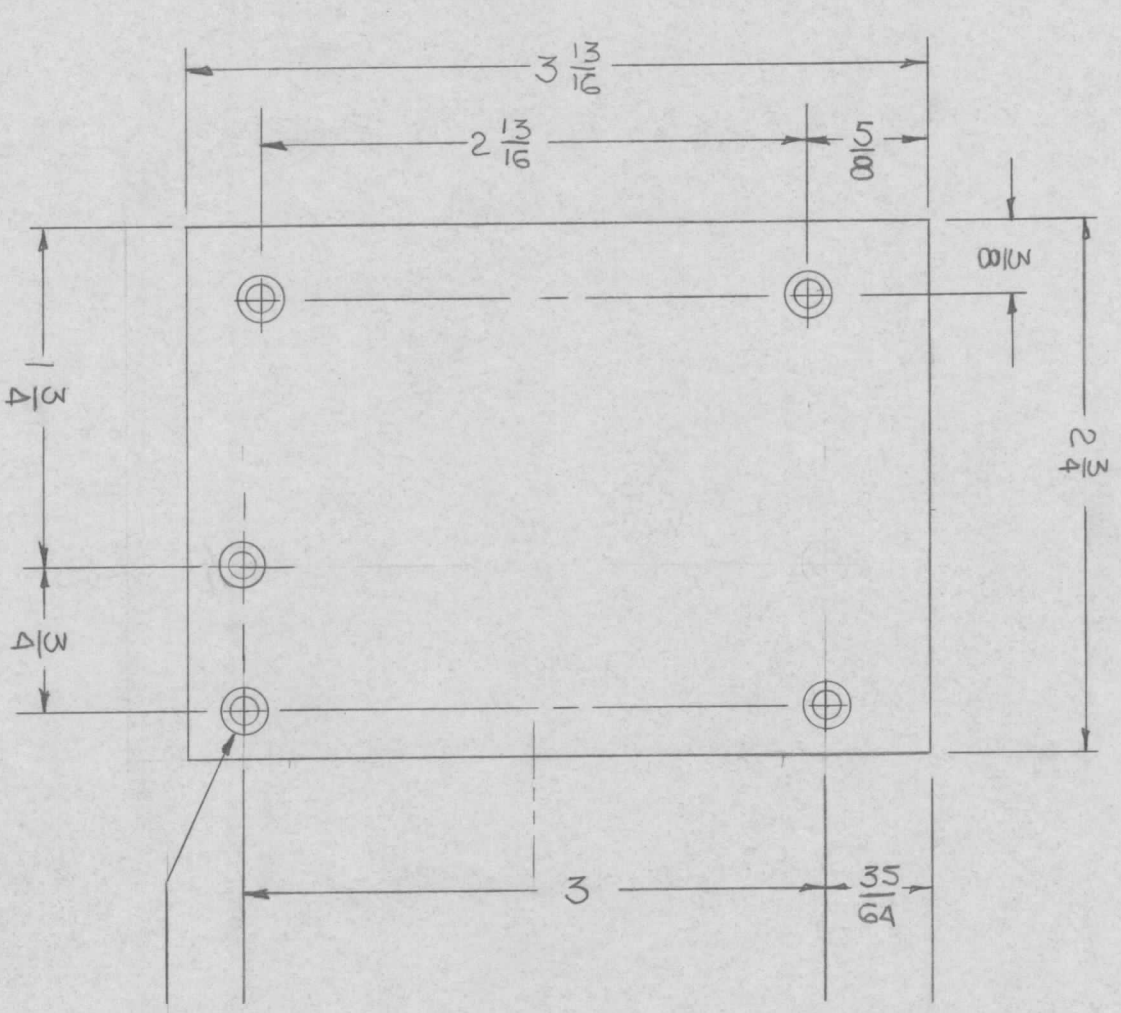


REVISIONS				DATE	APPROVED
EMN. NO.	DRAFT	CHKD	ZONE	LTR	DESCRIPTION
7	MAC			Ø	ORIGINAL RELEASE FOR PRODUCTION
					1-7-80 SD

MARK TMC PART NUMBER  
1/8 HIGH GOTHIC WITH LATEST  
REVISION LETTER ON REAR OF PANEL



DRILL .144 CSK 82° TO .284  
SPLACES

10	RCST-1	AX 5224
10	RCST-1	AX 5223
QTY / UNIT		ASS'Y NO.
APPLICATION		CODE

**NOTICE TO PERSONS RECEIVING THIS DRAWING**  
THE TECHNICAL MATERIEL CORPORATION claims proprietary right in the material disclosed hereon. This drawing is issued in confidence for engineering information only and may not be reproduced or used to manufacture anything shown hereon without permission from THE TECHNICAL MATERIEL CORPORATION to the user. This drawing is loaned for mutual assistance and is subject to recall at any time.

DECIMALS	FRACTIONS
.X ± .05	1/64
.XX ± .01	ANGLES
.XXX ± .005	° .30'
MATERIAL	
1/8 THICK ALUMINUM	
5052-H32	
FINISH	
SAO4 IRIDITE	

REQ'D	ITEM	PART NUMBER	DESCRIPTION	SYM.
			LIST OF MATERIAL	

THE TECHNICAL MATERIEL CORP.  
MAMARONECK, NEW YORK

PC CARD HOLDER

FINAL APPROVAL	DATE	1/7/80	
MECH. DES.	DATE		
ELECT. DES.	DATE		
CHECKED	DATE		
DRAWN PH	DATE	10-14-77	
SIZE	CODE IDENT. NO.	DWG NO.	ISSUE
B	82679	MS 6855	Ø
SCALE	FULL	SHEET	OF