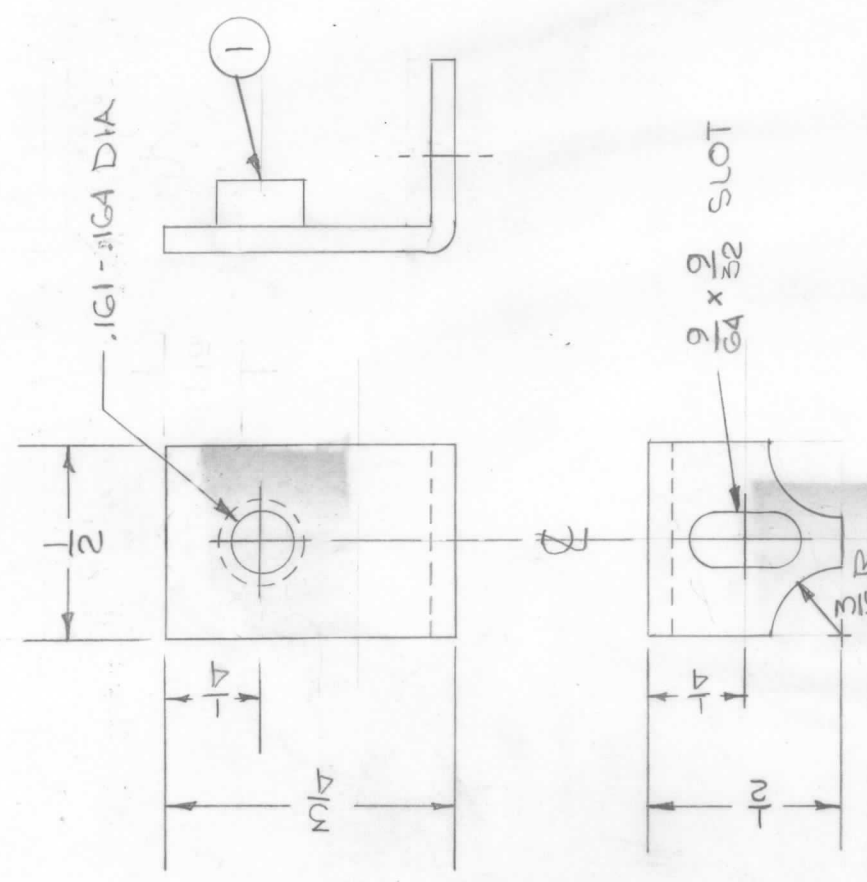
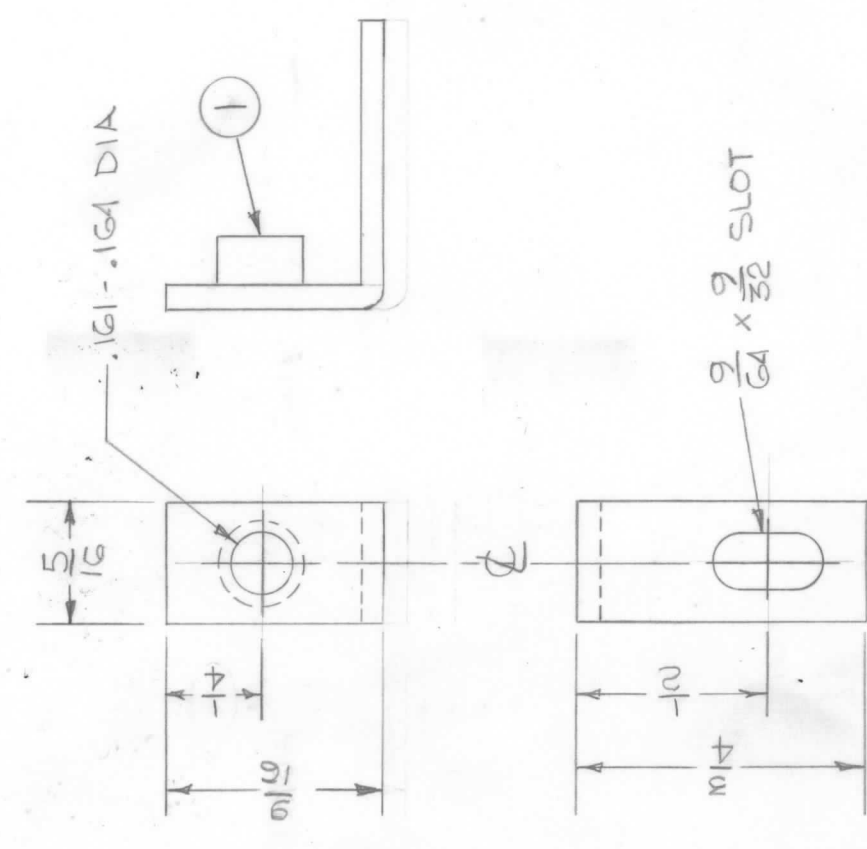


USED TO MOUNT: A5706 } (6 REQ)  
 A5707 }  
 A5708 }



MS 6835-1

USED TO MOUNT: A5711 (2 REQ)



MS 6835-2

EM.N. NO	DRAFT	CHKD	ZONE	LTR	DESCRIPTION	DATE	APPROVED
-	PH	WAB	Ø		ORIGINAL RELEASE FOR PRODUCTION	6-6-78	*

REVISIONS

REQ'D	ITEM	PART NUMBER	DESCRIPTION	SYMBOL
1	NT129-0440-4	NUT ROULD		

FINAL APPROVAL	DATE	MECH. DES.	DATE	ELECT. DES.	DATE	CHECKED	DATE	DRAWN	DATE
PH	11-29-77	PH	11-29-77			PH	11-29-77	PH	11-29-77

LIST OF MATERIAL			
THE TECHNICAL MATERIEL CORP. MAMARONECK, NEW YORK			
BRACKET, MTG			
PC BOARD			
SIZE	CODE IDENT. NO.	DWG NO.	ISSUE
B	82679	MSG835	Ø
SCALE 2:1		SHEET	OF
		2	1

UNLESS OTHERWISE SPECIFIED DIMENSIONS ARE IN INCHES AND INCLUDE CHEMICALLY APPLIED OR PLATED FINISHES

DECIMALS: X ± .05, .XX ± .01, .XXX ± .005  
 FRACTIONS: 1/64  
 TOLS. ANGLES: 0°-30'

MATERIAL: .064 THK 5052-H32 ALUM  
 FINISH: S404 IRIDITE

AS NOTED MMV(-)-2B BMA536

QTY / UNIT MODEL USED ON ASSY NO.  
 APPLICATION

CODE

NOTICE TO PERSONS RECEIVING THIS DRAWING  
 THE TECHNICAL MATERIEL CORPORATION claims proprietary right in the material disclosed hereon. This drawing is issued in confidence for engineering information only and may not be reproduced or used to manufacture anything shown hereon without permission from THE TECHNICAL MATERIEL CORPORATION to the user. This drawing is loaned for mutual assistance and is subject to recall at any time.