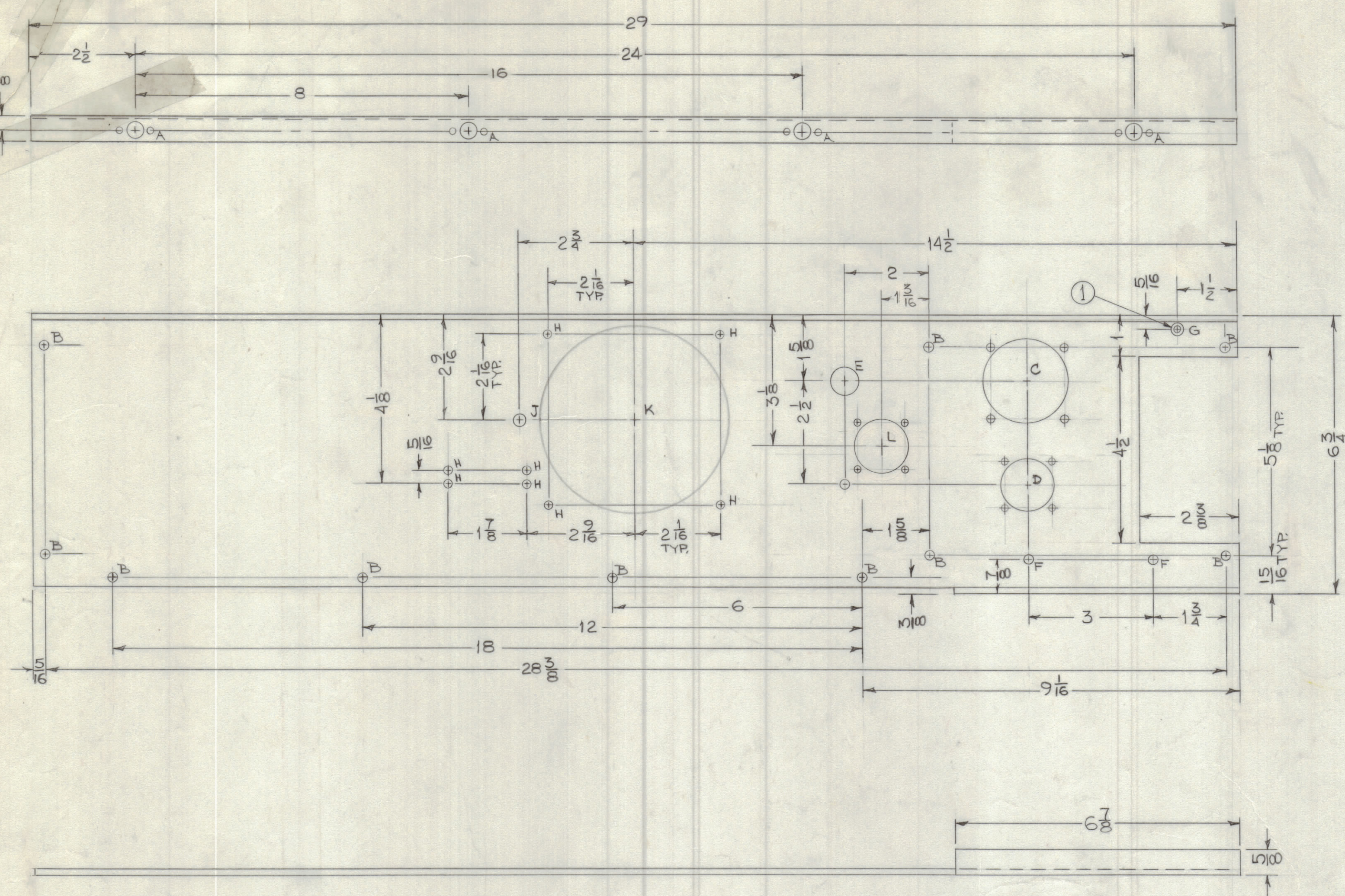
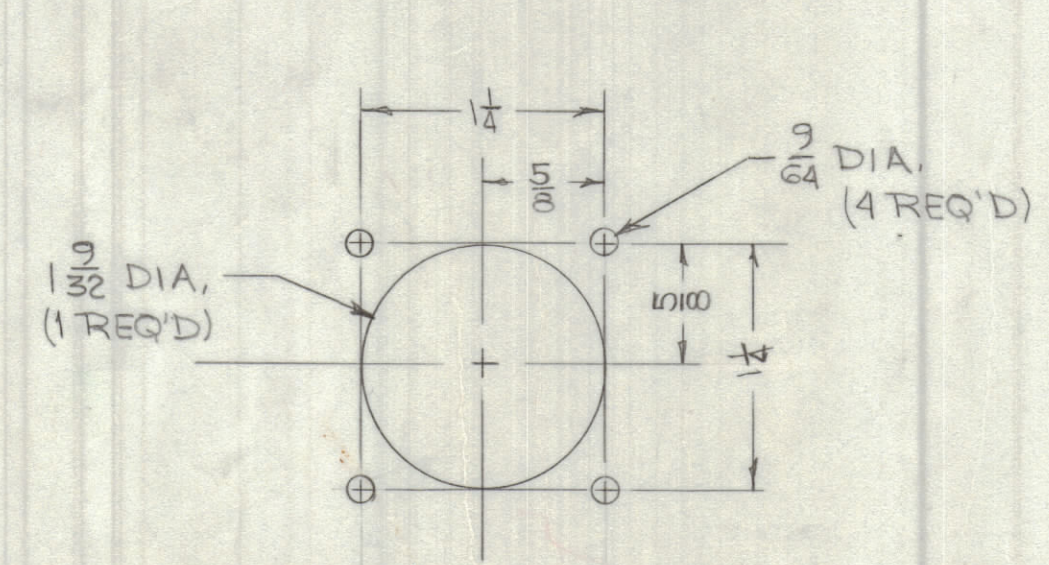
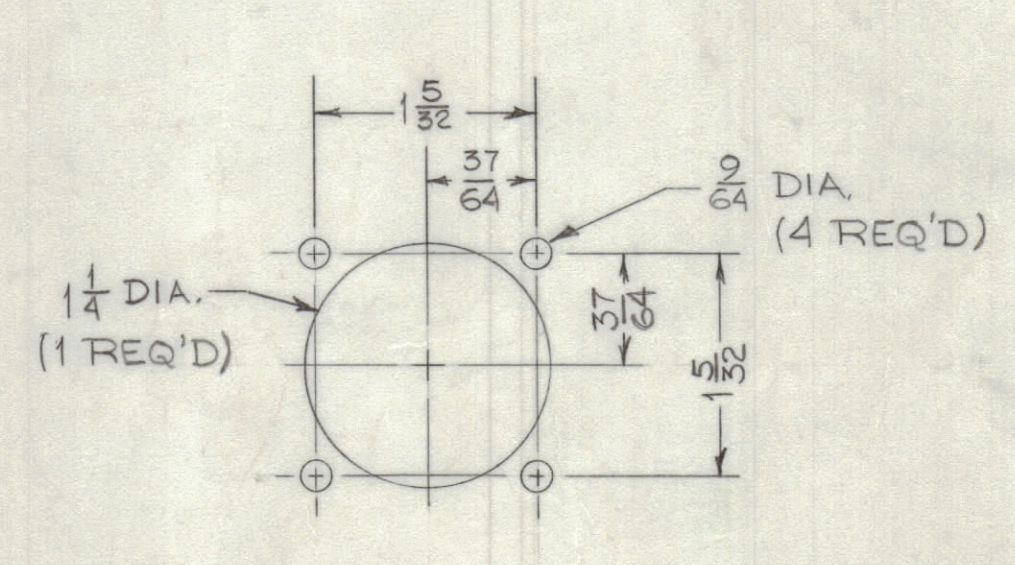
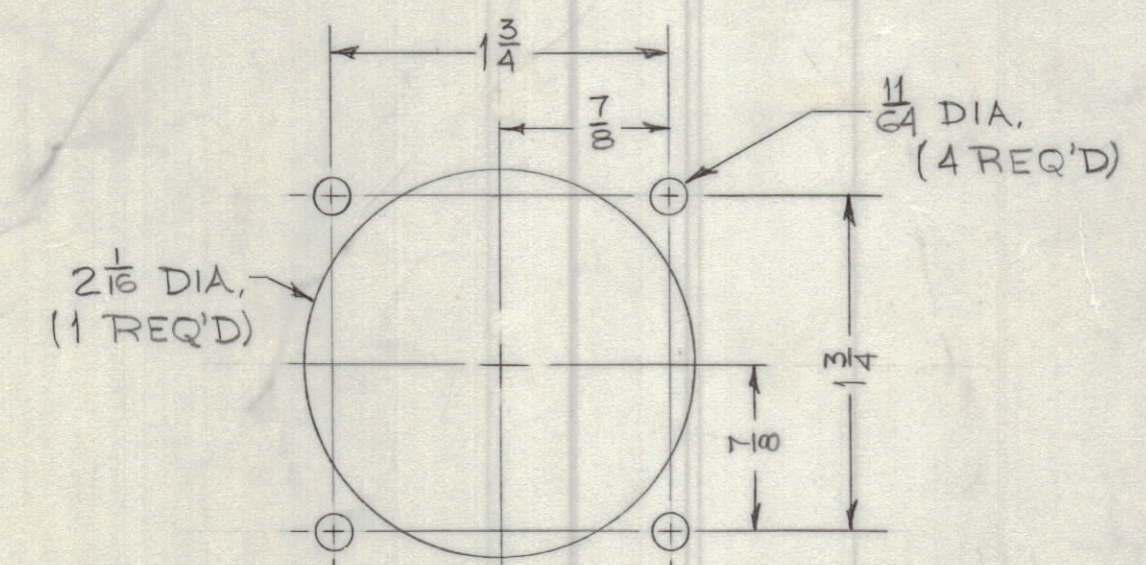
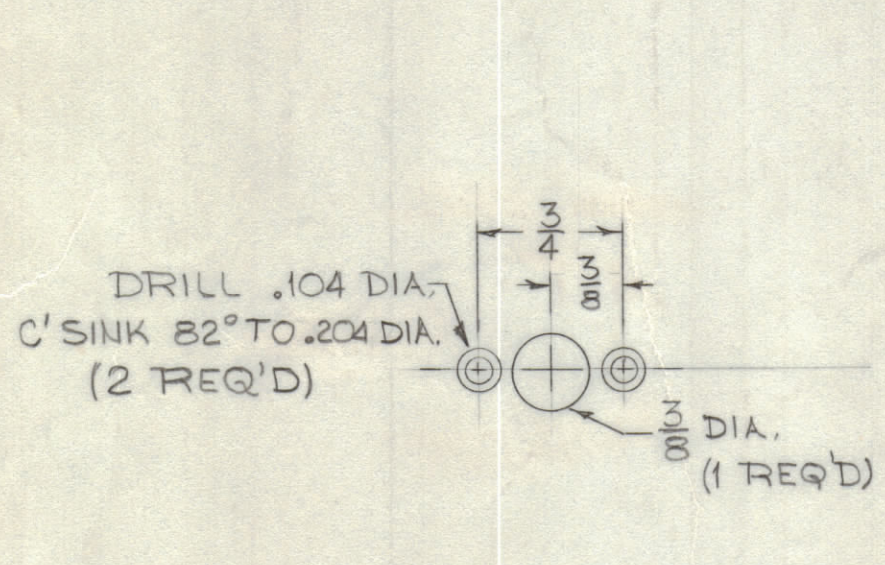


REVISIONS						
E.M.N.O.	DRAFT	CHKD	ZONE	LTR	DESCRIPTION	DATE
				X1	NEW DIMENSIONS ON HOLE "L"	9-27-77
					ORIGINAL RELEASE FOR PRODUCTION	7-14-87



HOLE	DESCRIPTION	REQ'D
A	SEE DETAIL	4
B	13/64 DIA.	10
C	SEE DETAIL	1
D	SEE DETAIL	1
E	19/32 DIA.	1
F	11/64 DIA.	3
G	.221 - .224 DIA.	1
H	9/64 DIA.	8
J	1/4 DIA.	1
K	4 1/2 DIA.	1
L	SEE DETAIL	1



- UNLESS OTHERWISE SPECIFIED:
- USE MATERIAL THICKNESS FOR MAXIMUM RADIUS ON ALL BENDS.
 - ALL ANGULAR BENDS 90 DEGREES.
 - REMOVE ALL BURRS AND SHARP EDGES.
 - MOUNT INSERTS AFTER FINISHING.

1	HFTR-10K/JB	AX5230
QTY / UNIT	MODEL USED ON	ASS'Y NO.
APPLICATION		
CODE		

NOTICE TO PERSONS RECEIVING THIS DRAWING
 THE TECHNICAL MATERIEL CORPORATION claims proprietary right in the material disclosed hereon. This drawing is issued in confidence for engineering information only and may not be reproduced or used to manufacture anything shown hereon without permission from THE TECHNICAL MATERIEL CORPORATION to the user. This drawing is loaned for mutual assistance and is subject to recall at any time.

UNLESS OTHERWISE SPECIFIED DIMENSIONS ARE IN INCHES AND INCLUDE CHEMICALLY APPLIED OR PLATED FINISHES	
TOLERANCES ON DECIMALS .X ± .05 .XX ± .01 .XXX ± .005	FRACTIONS ± 1/64 ANGLES ± 0° - 30'

MATERIAL	6061 ALUM 5052-H32
FINISH	S404 YELLOW IRIDITE

REF: LD 3079

QTY.	ITEM	PART NO.	DESCRIPTION	SYMBOL
1	1	WT129-C832-4	NUT PLW SPLINE	G

LIST OF MATERIAL

THE TECHNICAL MATERIEL CORP. MAMARONECK, NEW YORK	
PLATE, REAR (EXCITER DRAWER MMX-2B)	
SIZE	CODE IDENT NO. DWG NO.
D	82679 MS 6832
SCALE	SHEET OF

B MS 6832 X1