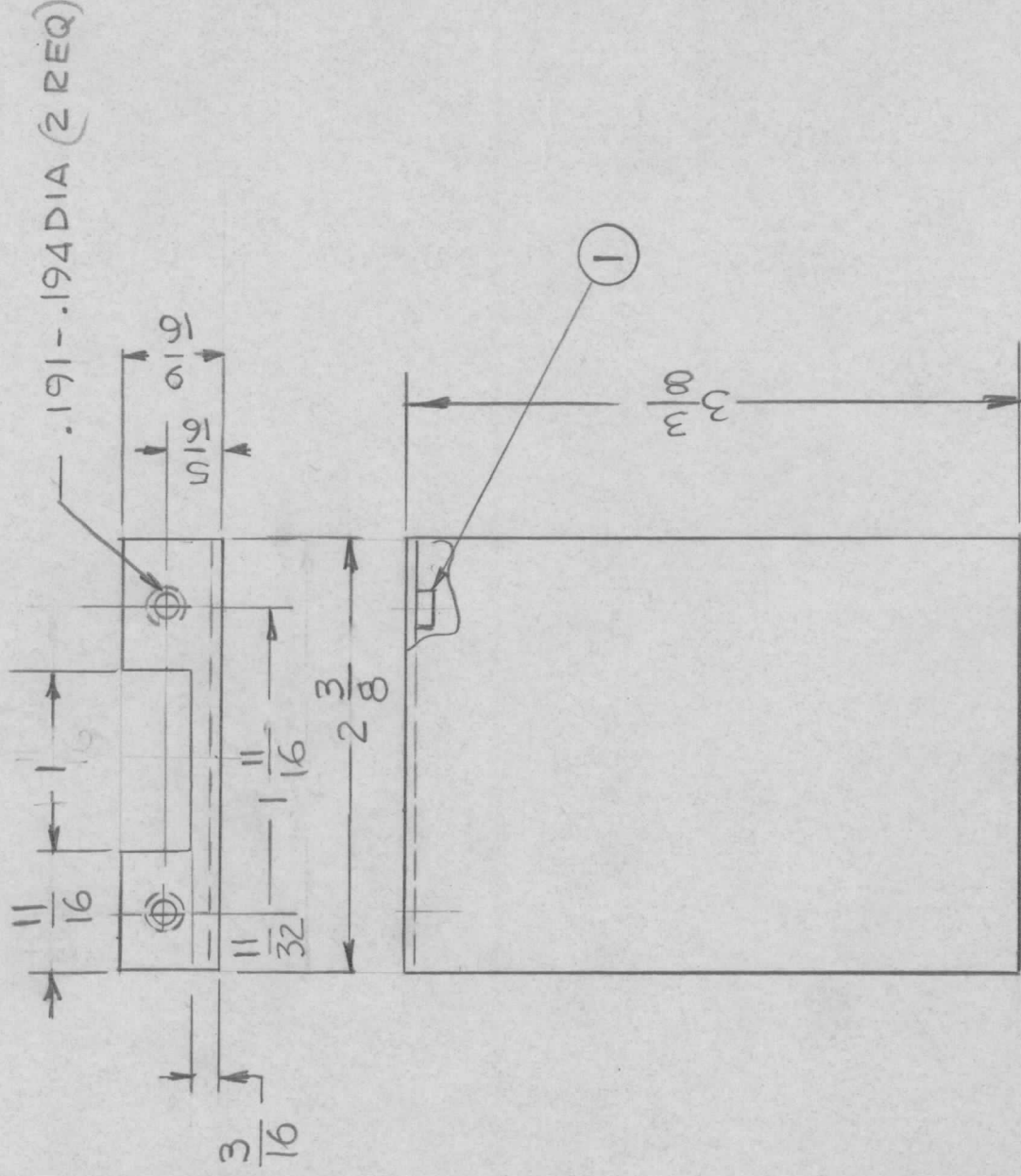


APPLICATION

REVISIONS

QTY	MODEL USED ON	ASS'Y NO.	LTR	DESCRIPTION	DATE	E.M.N.NO	DRAFT	CHKD	APPD
1	GPR-110		X						
			Ø	ORIGINAL RELEASE	1977		GDL		*



REQ'D	ITEM	PART NUMBER	DESCRIPTION	SYM.
2	1	NT 129 0632-4	NUT ROUND SWAGE	

LIST OF MATERIAL

THE TECHNICAL MATERIEL CORP.
MAMARONECK, NEW YORK

SHIELD TRANSFORMER

FINAL APPROVAL	DATE	MECH. DES.	DATE	ELECT. DES.	DATE	CHECKED	DATE	DRAWN	DATE
0003	11/10/77							GDL	12-16-76

UNLESS OTHERWISE SPECIFIED DIMENSIONS ARE IN INCHES AND INCLUDE CHEMICALLY APPLIED OR PLATED FINISHES

DECIMALS FRACTIONS
 .X ± .05 TOLS. 1/64
 .XX ± .01 ANGLES
 .XXX ± .005 0°-30'

MATERIAL '064 THK
 ALY 5052-H32

FINISH S404

YEL IRIDITE

NOTICE TO PERSONS RECEIVING THIS DRAWING
 THE TECHNICAL MATERIEL CORPORATION claims proprietary right in the material disclosed hereon. This drawing is issued in confidence for engineering information only and may not be reproduced or used to manufacture anything shown hereon without permission from THE TECHNICAL MATERIEL CORPORATION to the user. This drawing is loaned for mutual assistance and is subject to recall at any time.

SIZE	CODE IDENT. NO.	DWG NO.	ISSUE
A	82679	Ms 6762	0

SCALE 1:1 SHEET OF