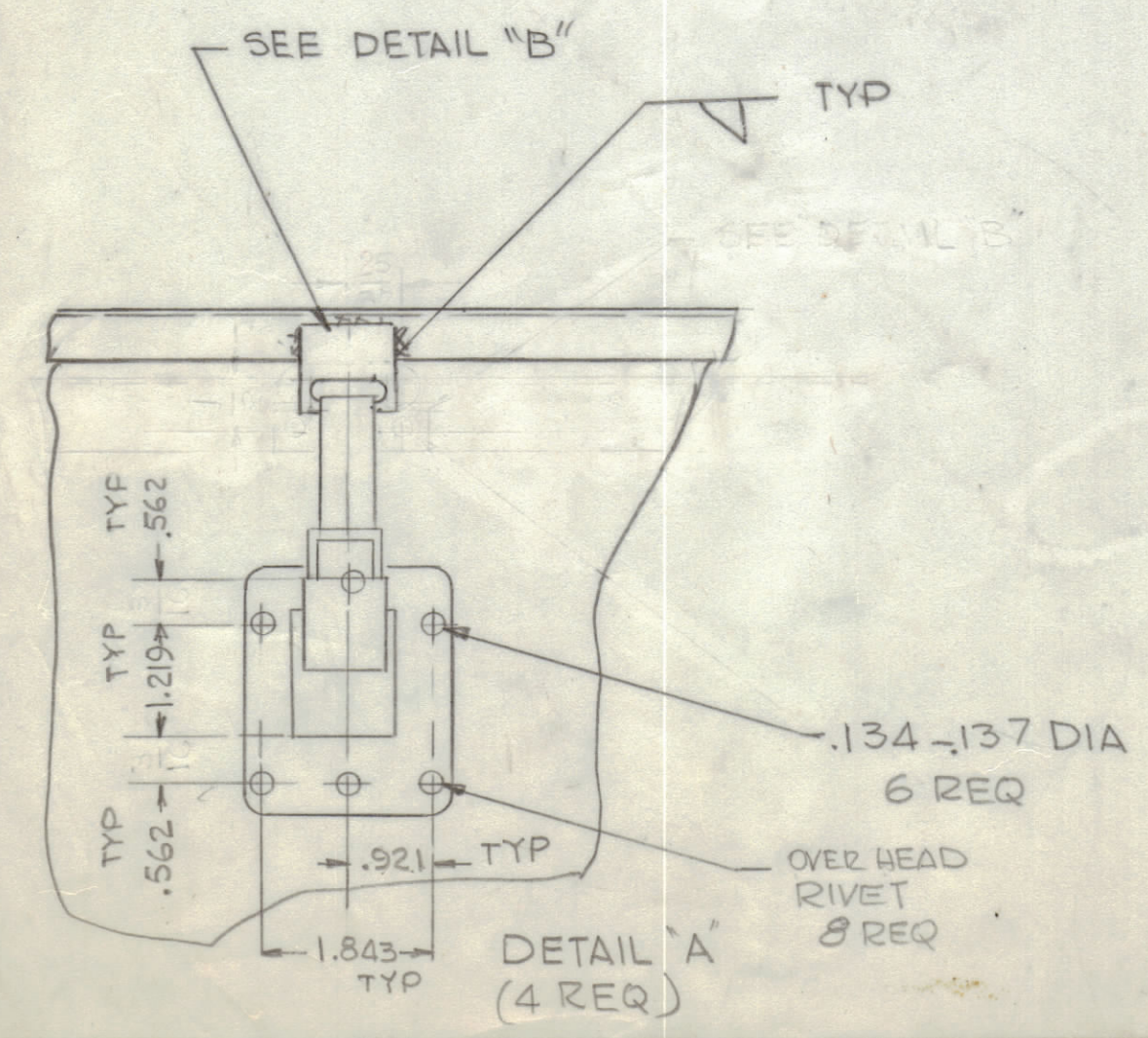
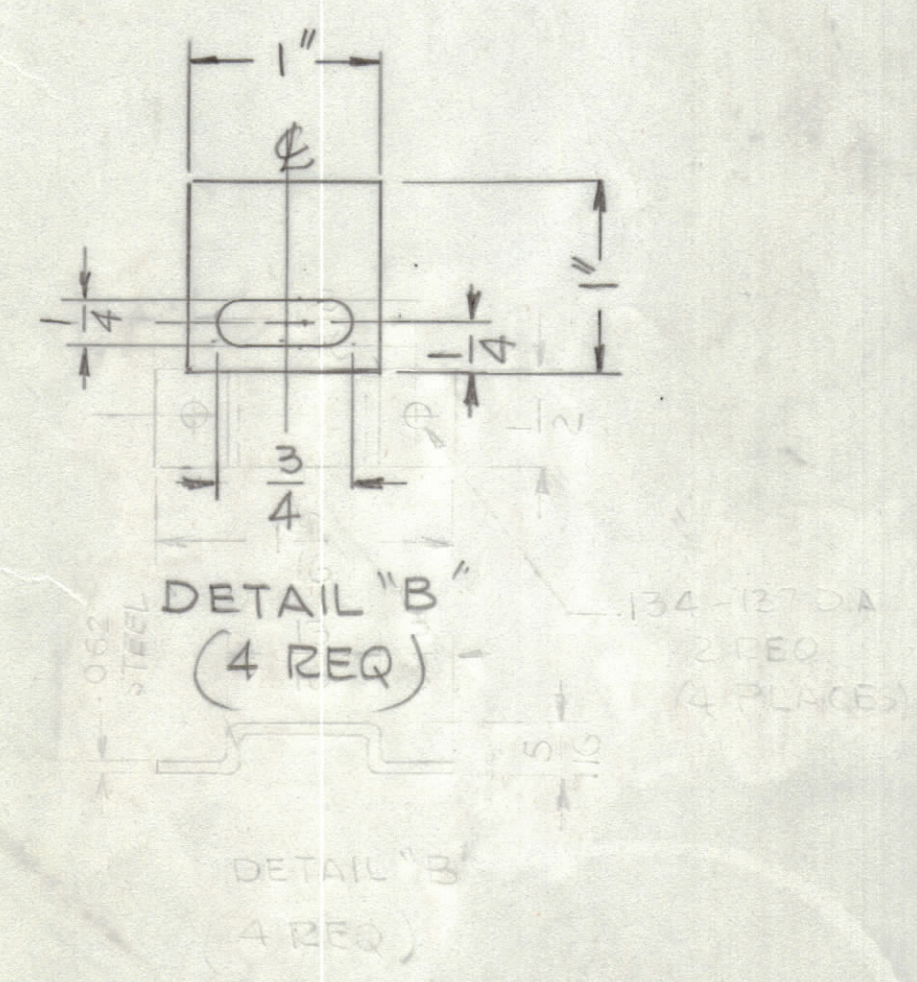
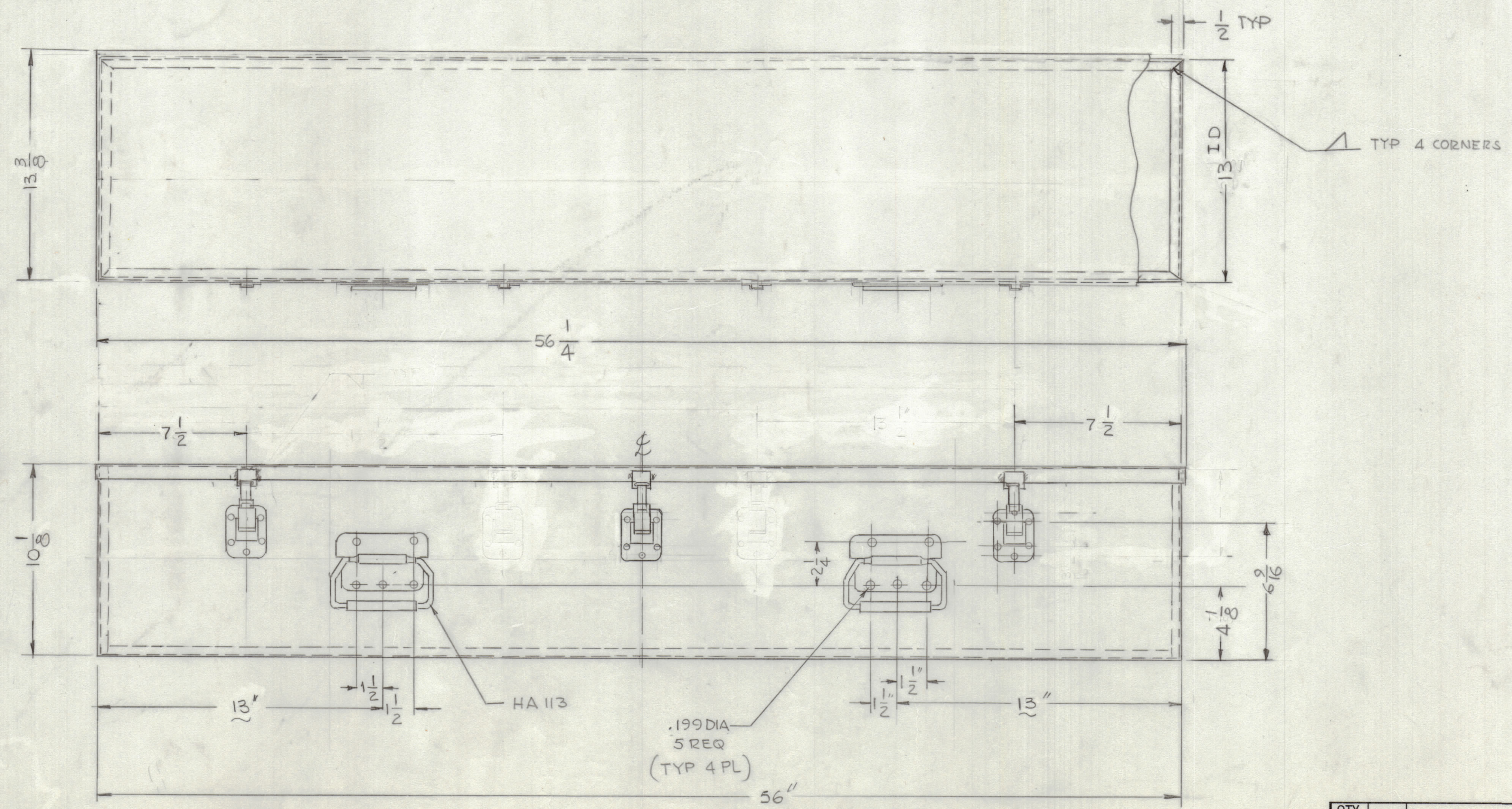
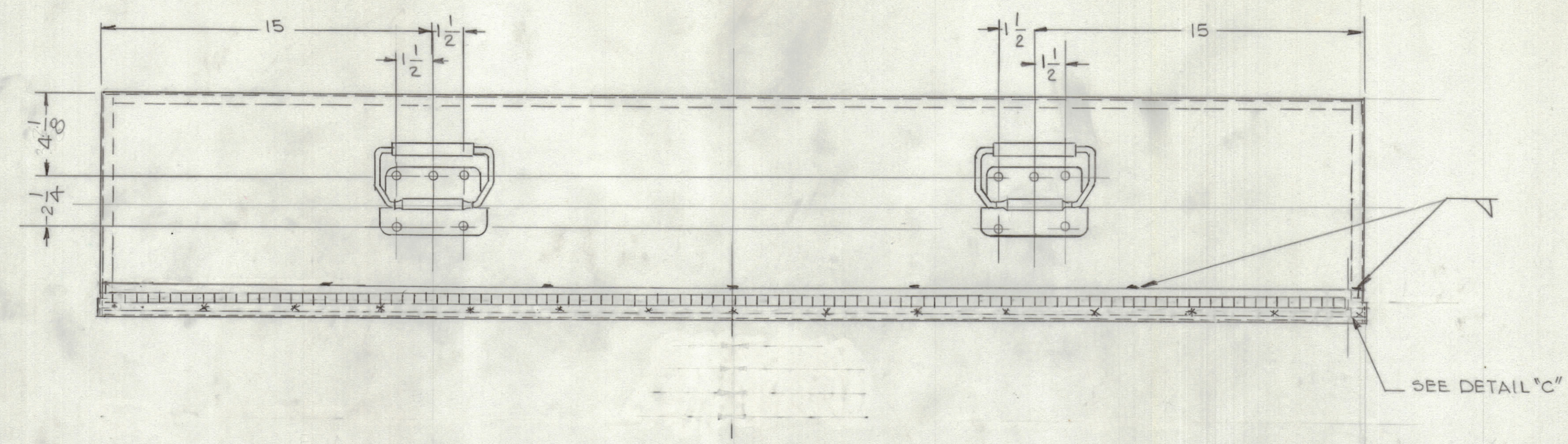
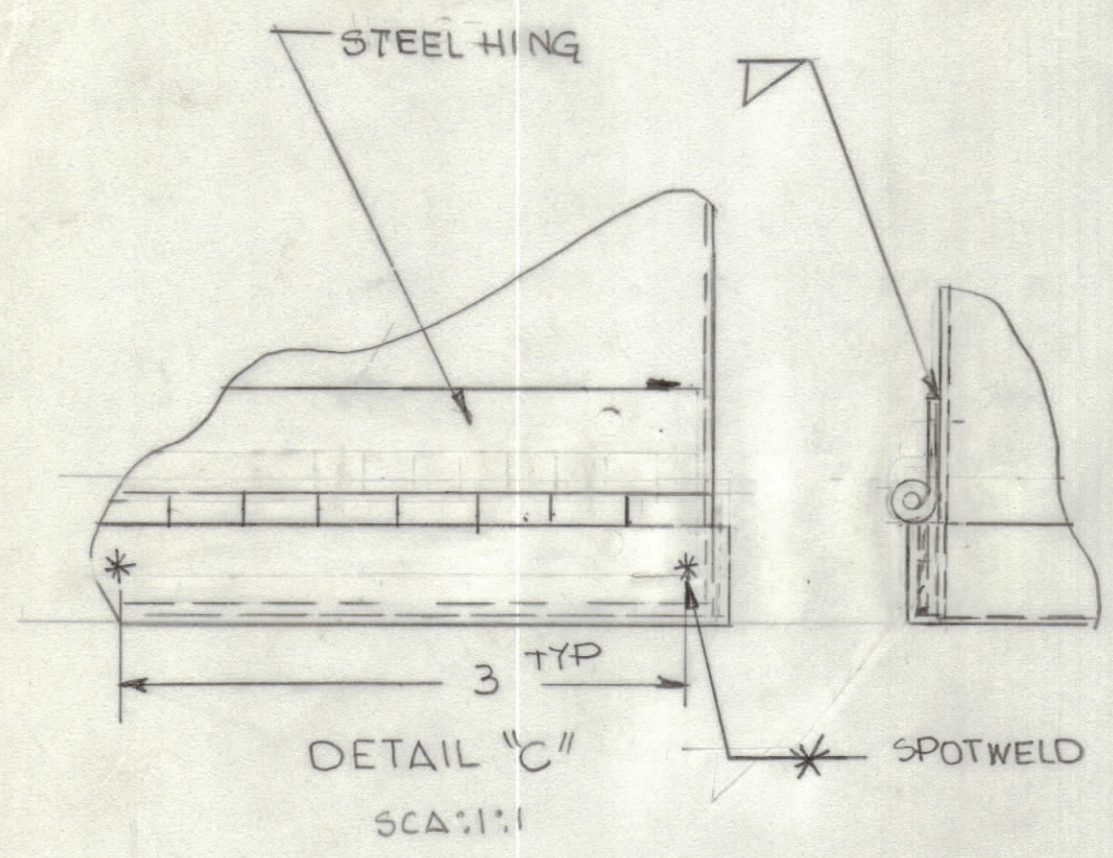


REVISIONS						
E.M.N.O.	DRAFT	CHKD	ZONE	LTR	DATE	APPROVED
					1-10-77	
ORIGINAL RELEASE						



**FINISH NOTES:**

- S114 - ZINC CHROMATE PRIMER
- S115 - SMOOTH GRAY ENAMEL OR PRIME AND PAINT PER CUSTOMER'S SPECIFICATIONS

1	SYM 5204	
QTY / UNIT	MODEL USED ON	ASS'Y NO.
APPLICATION		
CODE		
NOTICE TO PERSONS RECEIVING THIS DRAWING THE TECHNICAL MATERIEL CORPORATION claims proprietary right in the material disclosed hereon. This drawing is issued in confidence for engineering information only and may not be reproduced or used to manufacture anything shown hereon without permission from THE TECHNICAL MATERIEL CORPORATION to the user. This drawing is loaned for mutual assistance and is subject to recall at any time.		

UNLESS OTHERWISE SPECIFIED DIMENSIONS ARE IN INCHES AND INCLUDE CHEMICALLY APPLIED OR PLATED FINISHES	
TOLERANCES ON DECIMALS	FRACTIONS
X ± .05	± 1/64
XX ± .01	ANGLES
XXX ± .005	± 0° -30'
MATERIAL	# 18 GAGE STEEL
FINISH	SEE NOTE

QTY. REQ.	ITEM	PART NO.	DESCRIPTION	SYMBOL
LIST OF MATERIAL				
FINAL APPROVAL: <i>[Signature]</i> DATE: 1/10/77				
MECH. DES. DATE				
ELECT. DES. DATE				
CHECKED DATE				
DRAWN: GOL DATE				
THE TECHNICAL MATERIEL CORP. MAMARONECK, NEW YORK				
ANTENNA CASE MACHINING				
SIZE	CODE	IDENT NO.	DWG NO.	ISSUE
D	82679		MS 6672	1
SCALE	1:4	SHEET		OF