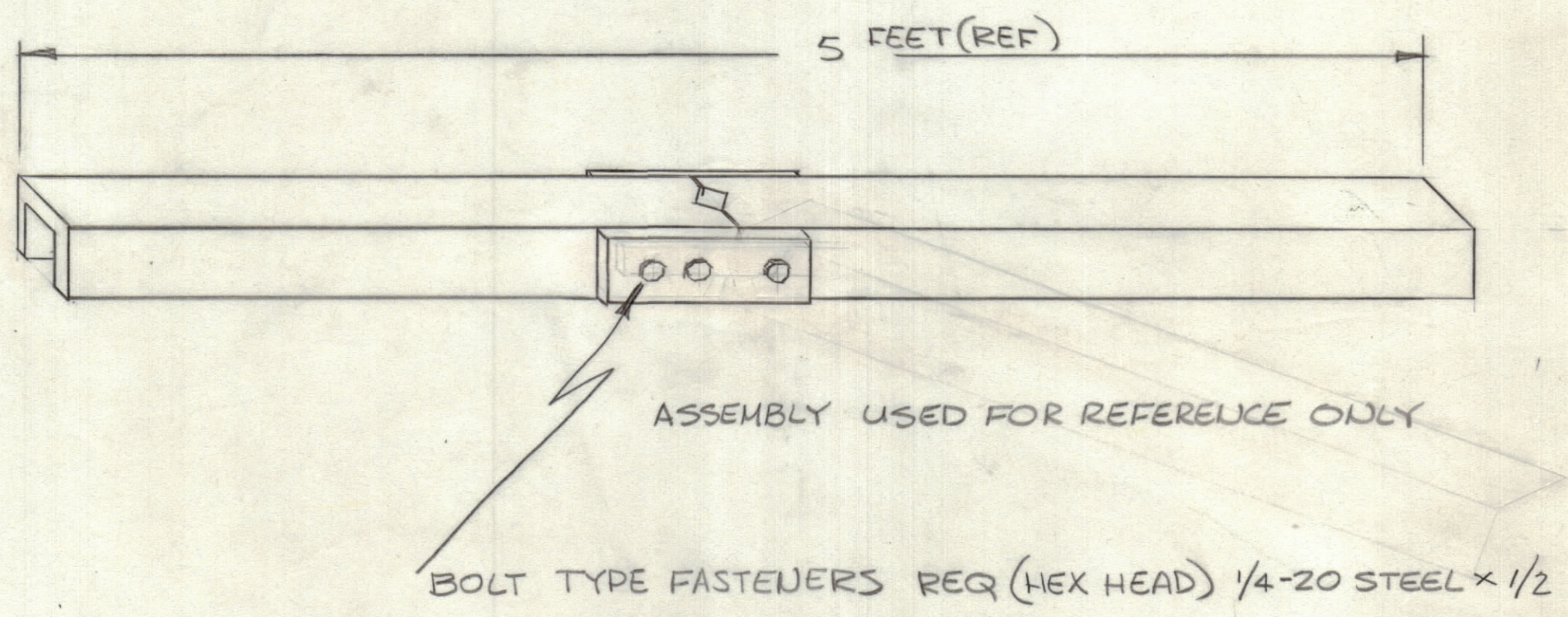
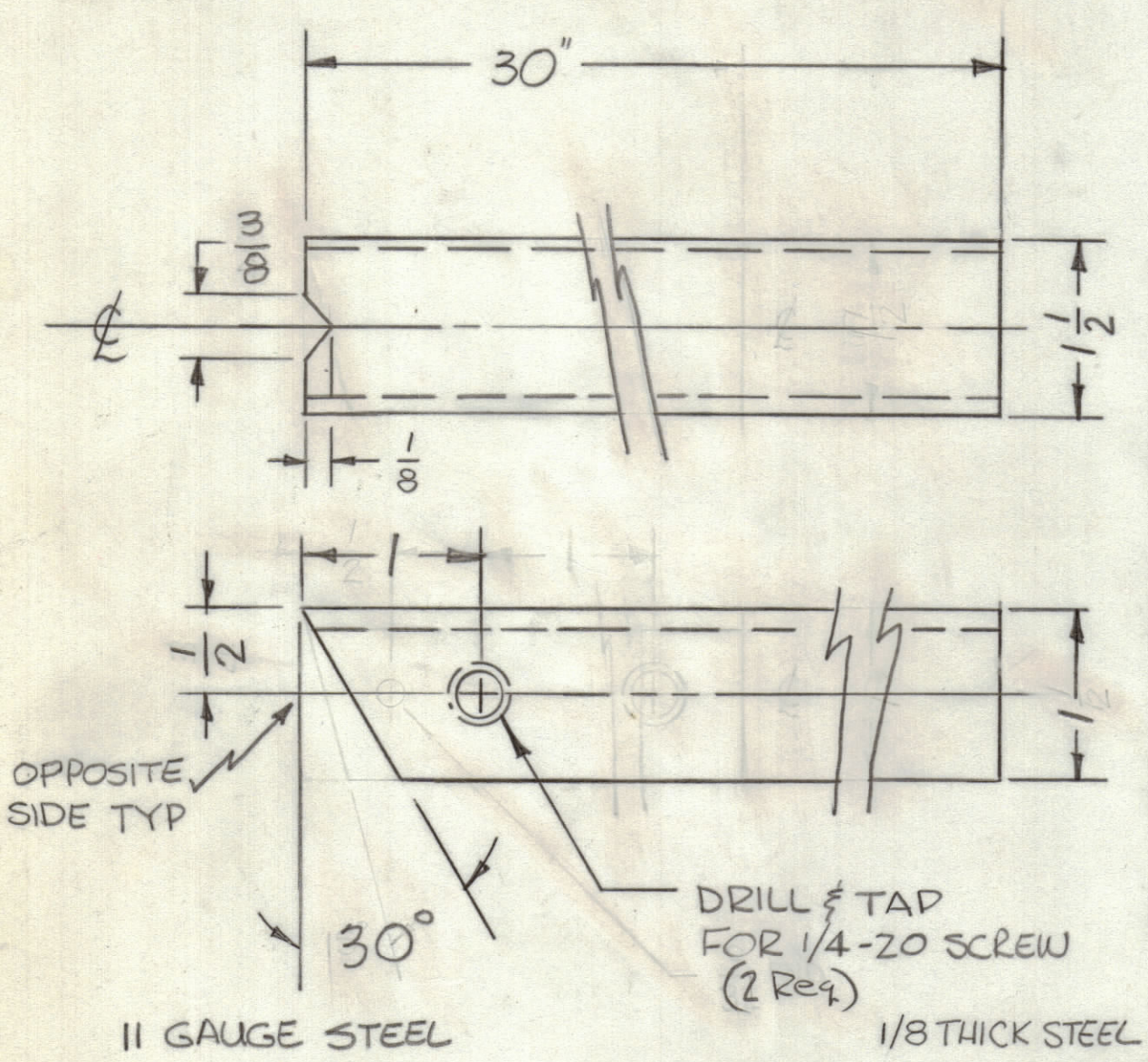
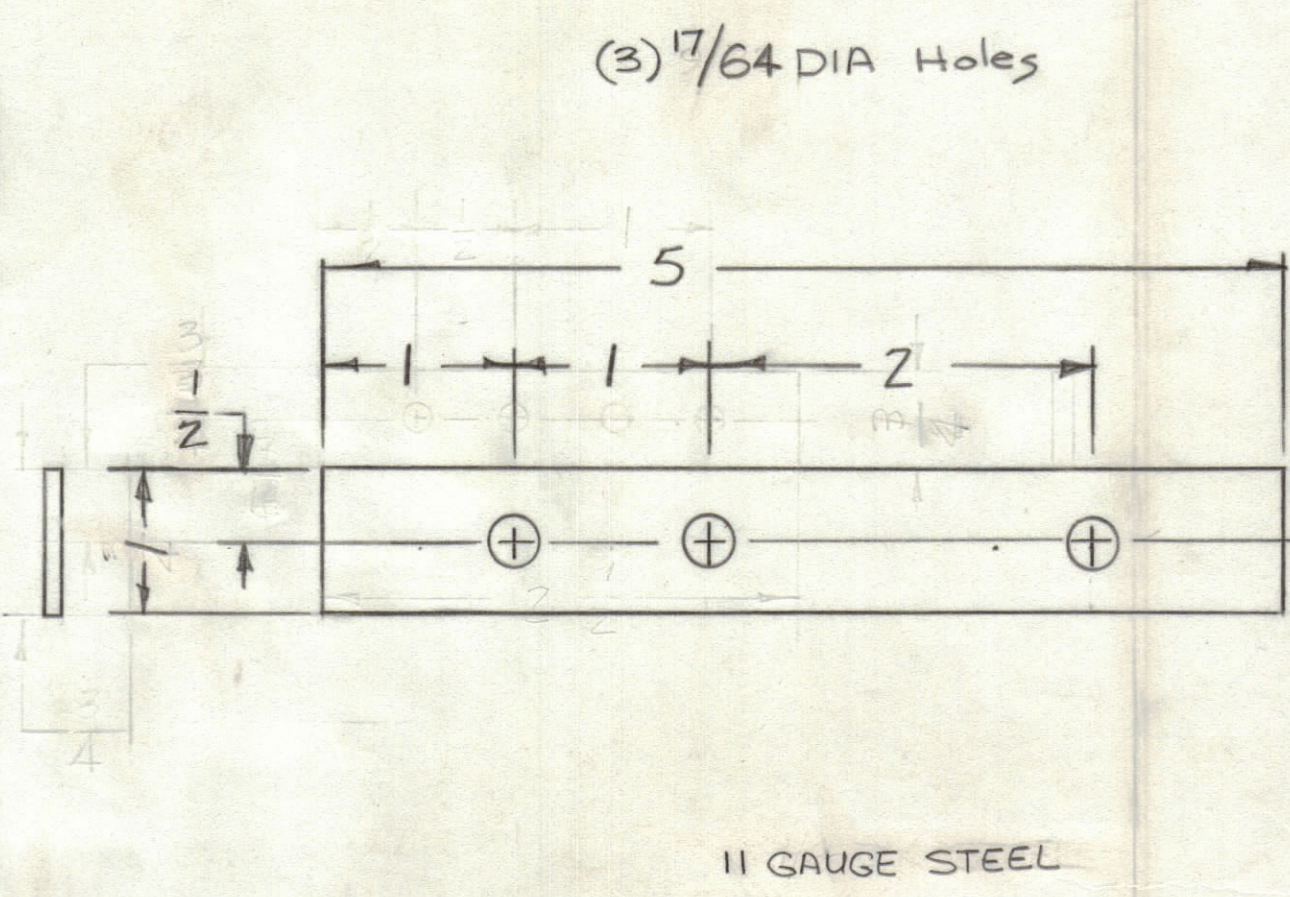
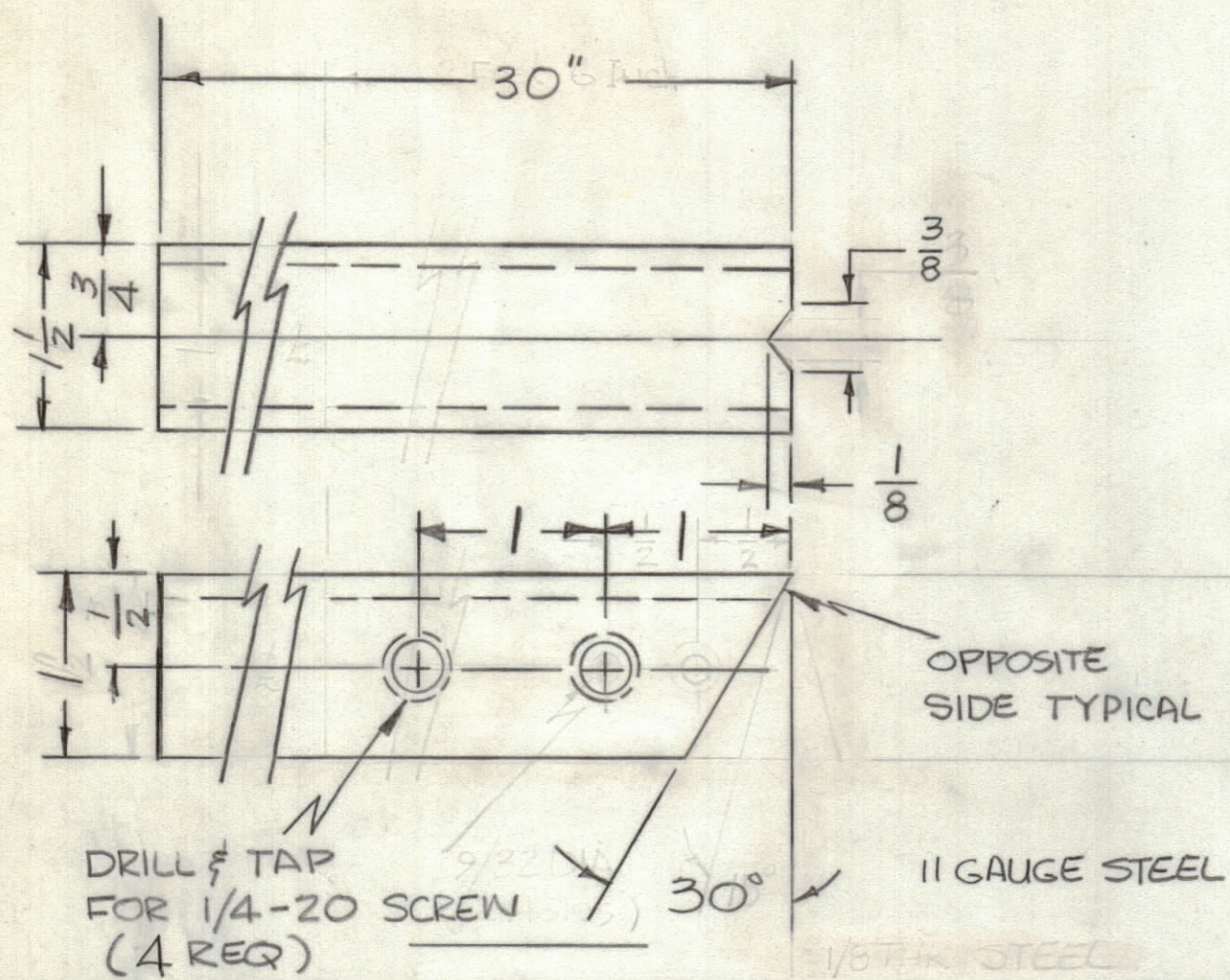


REVISIONS						
ZONE	LTR	DESCRIPTION	DATE	E.M.N.NO	DRAFT	CHKD APPD
	X	EXP. RELEASE	6-26-75		JD	
	Ø	ORIGINAL RELEASE FOR PRODUCTION	7/15/75		CL	

(2 PER Req)



QTY. REQ.	ITEM	PART NO.	DESCRIPTION	SYMBOL
LIST OF MATERIAL				
THE TECHNICAL MATERIEL CORP. MAMARONECK, NEW YORK				
EXTRACTOR, ROD				
FINAL APPROVAL <i>JD</i> DATE 7/10/75			MECH. DES. DATE	
ELECT. DES. DATE			CHECKED <i>JD</i> DATE 6-26-75	
DRAWN <i>RUP</i> DATE 6/13/75			MATERIAL 11 GAUGE STEEL (G1196)	
FINISH S115 (TMC GRAY)			SCALE C 82679 MS 6644	
			ISSUE Ø	
			SHEET OF	

VAS - 1		
QTY / UNIT	MODEL USED ON	ASS'Y NO.
APPLICATION		
CODE		
<p style="font-size: small;">NOTICE TO PERSONS RECEIVING THIS DRAWING</p> <p style="font-size: x-small;">THE TECHNICAL MATERIEL CORPORATION claims proprietary right in the material disclosed hereon. This drawing is issued in confidence for engineering information only and may not be reproduced or used to manufacture anything shown hereon without permission from THE TECHNICAL MATERIEL CORPORATION to the user. This drawing is loaned for mutual assistance and is subject to recall at any time.</p>		