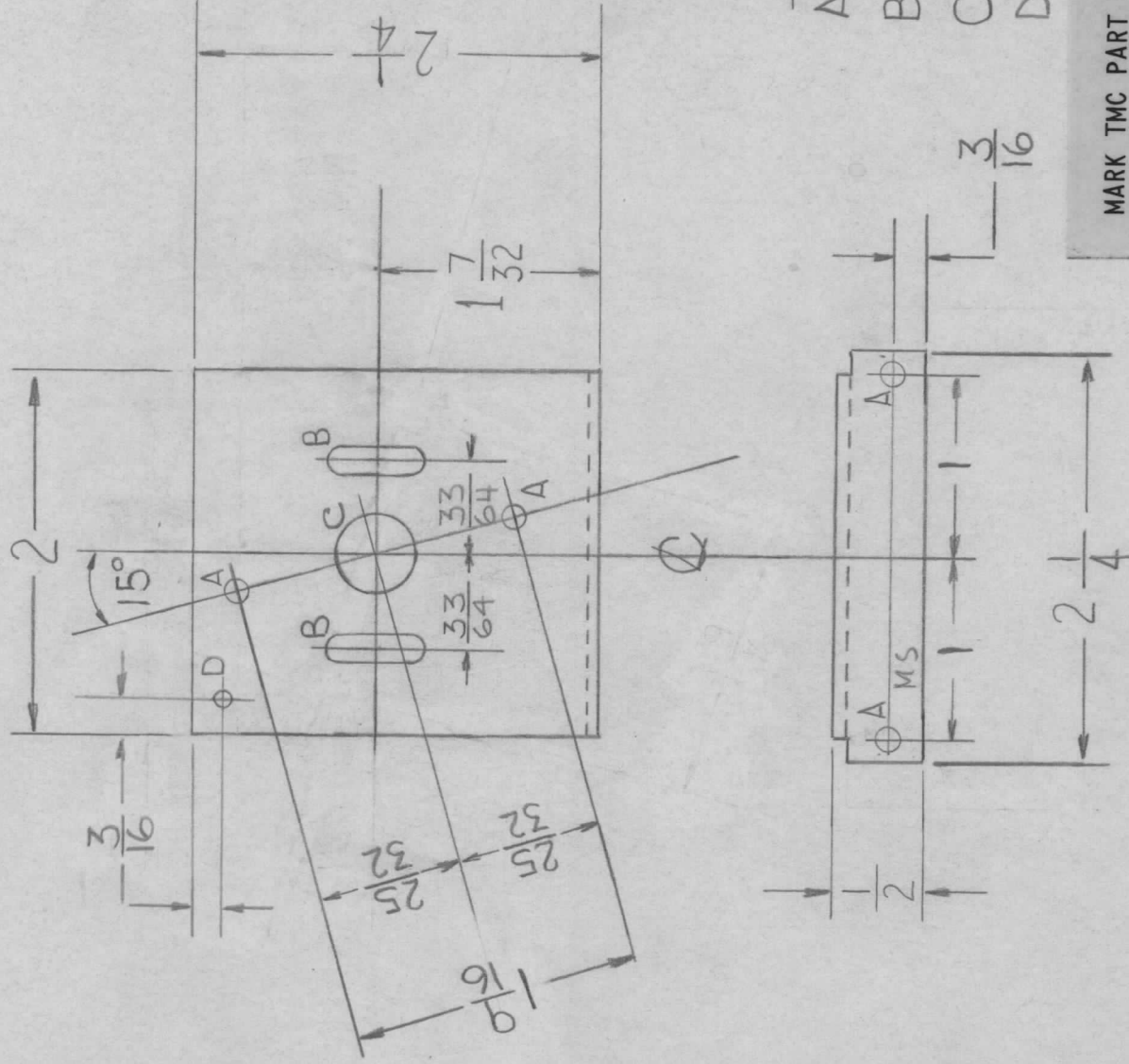


APPLICATION

REVISIONS

QTY	MODEL USED ON	ASS'Y NO.	LTR	DESCRIPTION	DATE	E.M.N.NO	DRAFT	CHKD	APPD
1	HFL-100		Ø	ORIGINAL RELEASE	1/2/95		D.I.		



HOLES

- A- 9/64 4REQ
 B- SLOT 1/8 x 3/8
 2REQ
 C- 7/16 1REQ
 D- 7/64 1REQ

MARK TMC PART NUMBER
 1/8 HIGH GOTHIC WITH LATEST
 REVISION LETTER ON REAR OF PANEL

UNLESS OTHERWISE SPECIFIED
 DIMENSIONS ARE IN INCHES
 AND INCLUDE CHEMICALLY APPLIED
 OR PLATED FINISHES

DECIMALS .05
 X ± .01
 .XX ± .01
 .XXX ± .005

FRACTIONS 1/64
 TOLS. ANGLS
 °.30

MATERIAL 5052-
 0.64 ALY. H32

FINISH S404
 YELL IRIDITED

REQ'D	ITEM	PART NUMBER	DESCRIPTION	SYM.
LIST OF MATERIAL				

FINAL APPROVAL

DATE 12/31/74

MECH. DES.

DATE 12-31-74

ELECT. DES.

DATE

CHECKED

DATE

DRAWN

F. IANNUZZI 11/21/74

NOTICE TO PERSONS RECEIVING THIS DRAWING

THE TECHNICAL MATERIEL CORPORATION claims proprietary right in the material disclosed hereon. This drawing is issued in confidence for engineering information only and may not be reproduced or used to manufacture anything shown hereon without permission from THE TECHNICAL MATERIEL CORPORATION to the user. This drawing is loaned for mutual assistance and is subject to recall at any time.

SIZE A

CODE IDENT. NO. 82679

DWG NO.

MS6588

ISSUE

Ø

SCALE 1:1

SHEET

OF

PLT. MTG. LEDEX

THE TECHNICAL MATERIEL CORP.

MAMARONECK, NEW YORK