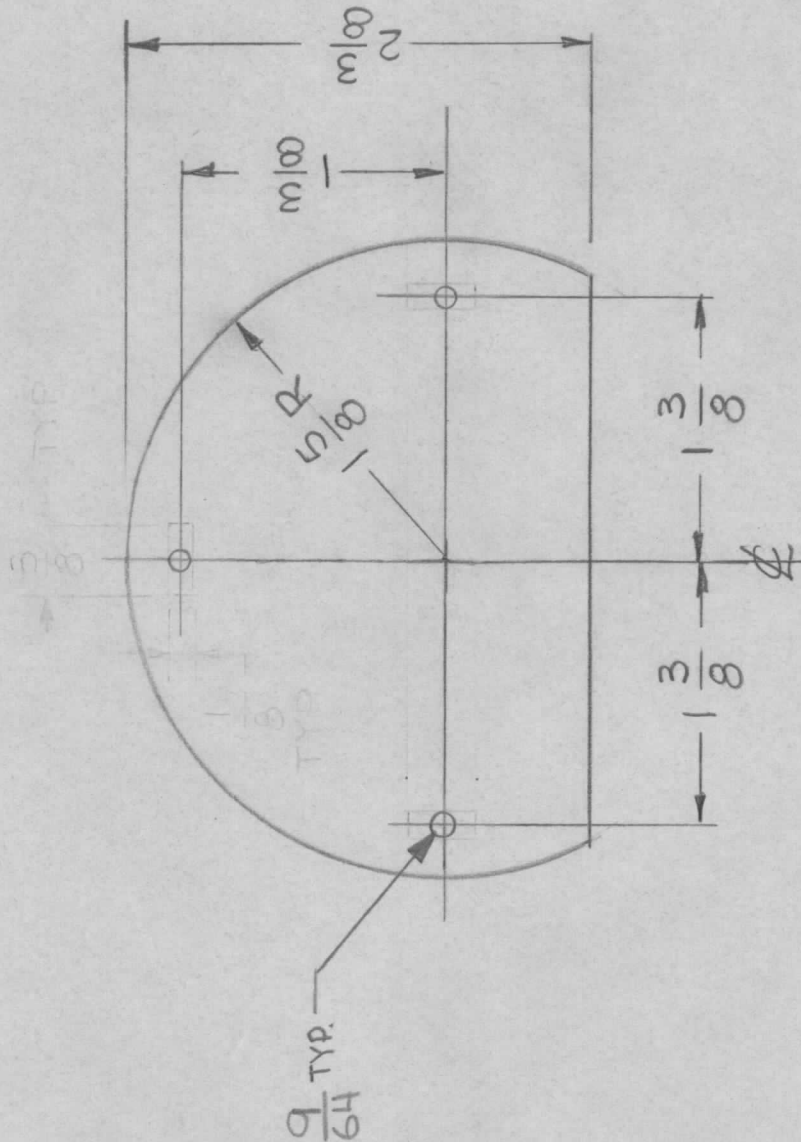


APPLICATION

REVISIONS

QTY	MODEL USED ON	ASS'Y NO.	LTR	DESCRIPTION	DATE	E.M.N.NO	DRAFT	CHKD	APPD
2	TMA-1K	BMA-520	X	EXP. RELEASE					
			X ₁	3/8 x 1/8 DIM. NOW 9/64 DIA.	2-7-75		F.I.		
			Ø	ORIG. RELEASE FOR PROD	3/13/75		CL		



UNLESS OTHERWISE SPECIFIED DIMENSIONS ARE IN INCHES AND INCLUDE CHEMICALLY APPLIED OR PLATED FINISHES

DECIMALS FRACTIONS
 .X ± .05 TOLS. 1/64
 .XX ± .01 ANGLES
 .XXX ± .005 0° - 30'

MATERIAL .040 THK COPPER

FINISH -

REQ'D ITEM	PART NUMBER	DESCRIPTION	SYM.
LIST OF MATERIAL			
THE TECHNICAL MATERIEL CORP. MAMARONECK, NEW YORK			
GRID GND. PLATE			

NOTICE TO PERSONS RECEIVING THIS DRAWING
 THE TECHNICAL MATERIEL CORPORATION claims proprietary right in the material disclosed hereon. This drawing is issued in confidence for engineering information only and may not be reproduced or used to manufacture anything shown hereon without permission from THE TECHNICAL MATERIEL CORPORATION to the user. This drawing is loaned for mutual assistance and is subject to recall at any time.

SIZE	CODE IDENT. NO.	DWG NO.	ISSUE
A	82679	M56552	Ø
SCALE	SHEET	OF	