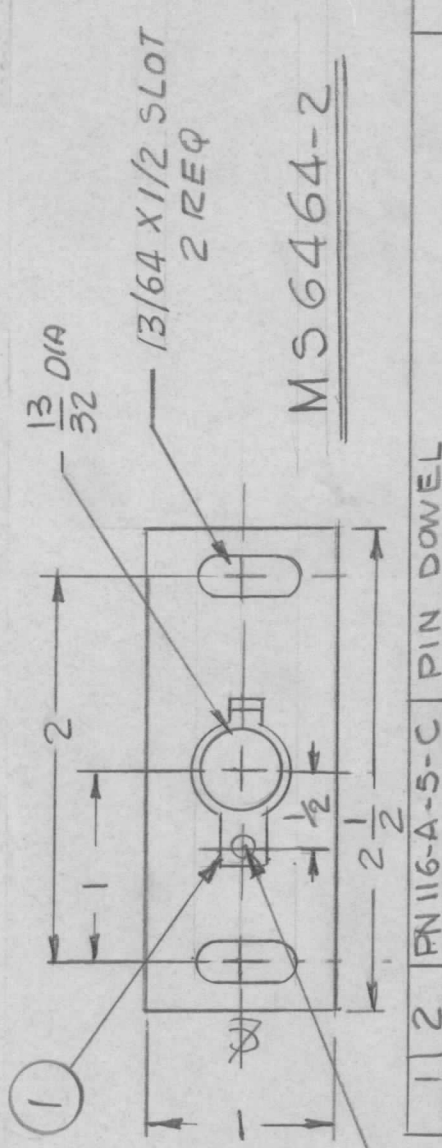
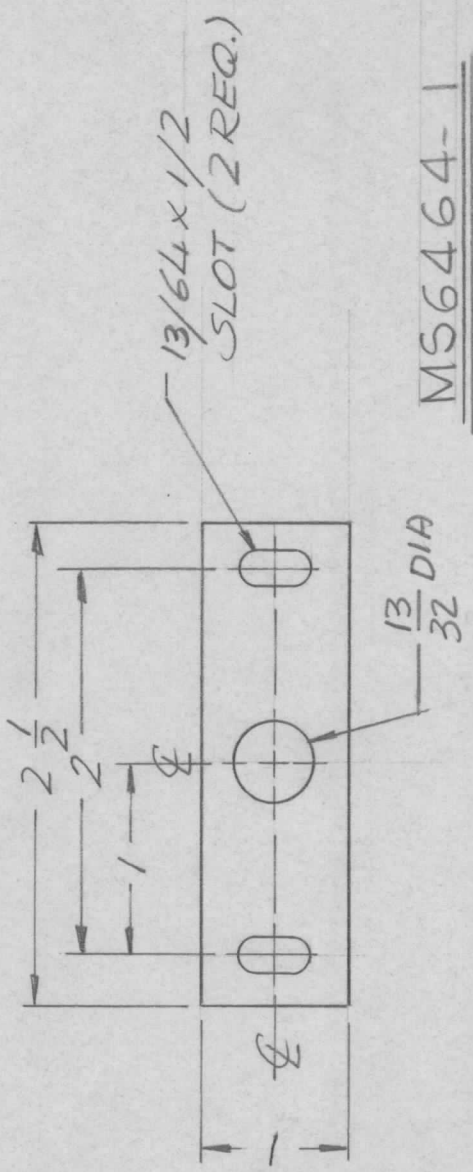


APPLICATION

QTY	MODEL USED ON	ASS'Y NO.	LTR
1	AX5176	AX5179	Ø
1	AX5176	AX5178	A

REVISIONS

DESCRIPTION	DATE	E.M.N.NO	DRAFT	CHKD	APPD
ORIGINAL RELEASE	11/30/73		D.V.		
MS 6464-2 ADD	4-28-77	21541	G.D.L	W.J.B	*



1	2	FN 116-A-5-C	PIN DOWEL
1	1	PM 516-A-5-C	WASHER LOCK

REQ'D ITEM	PART NUMBER	DESCRIPTION	SYM.
------------	-------------	-------------	------

LIST OF MATERIAL

FINAL APPROVAL *CEB* DATE 11/6/73  
 MECH. DES. DATE  
 ELECT. DES. DATE  
 CHECKED DATE  
 DRAWN *CE* DATE 5-6-73

**THE TECHNICAL MATERIEL CORP.**  
 MAMARONECK, NEW YORK

MATERIAL 5052H32  
 1/8 ALUM  
 FINISH 5404  
 YEL. IRIDITE

BRACKET, SHAFT SUPPORT

SIZE	CODE IDENT. NO.	DWG NO.	ISSUE
A	82679	MS6464	A
SCALE 1:1	SHEET	OF	

NOTICE TO PERSONS RECEIVING THIS DRAWING  
 THE TECHNICAL MATERIEL CORPORATION claims proprietary right in the material disclosed hereon. This drawing is issued in confidence for engineering information only and may not be reproduced or used to manufacture anything shown hereon without permission from THE TECHNICAL MATERIEL CORPORATION to the user. This drawing is loaned for mutual assistance and is subject to recall at any time.