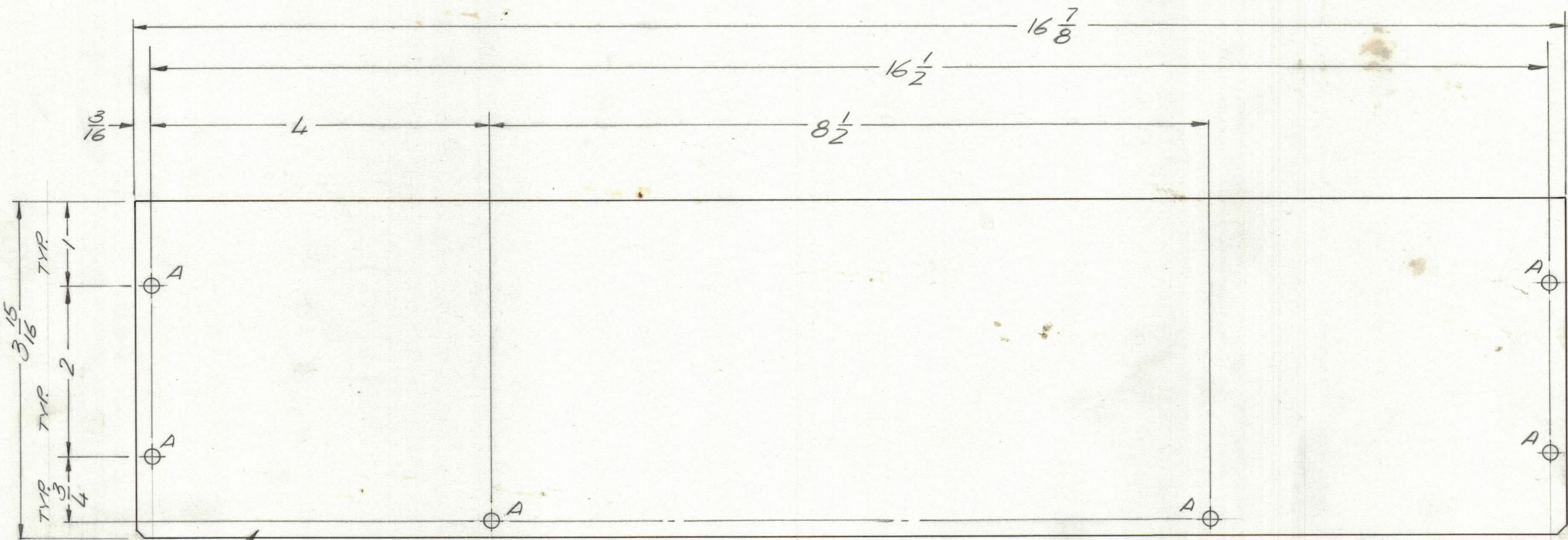


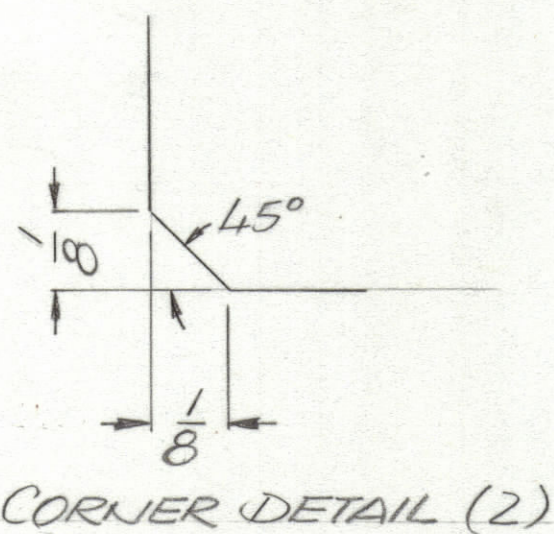
ENGINEERING SKETCH

NOT FOR PRODUCTION

| REVISIONS | | | | | | |
|-----------|-----|---------------------------------|---------|----------|-------|-----------|
| ZONE | LTR | DESCRIPTION | DATE | E.M.N.NO | DRAFT | CHKD APPD |
| | Ø | ORIGINAL RELEASE FOR PRODUCTION | 3/29/73 | | CK | |



MARK TMC PART NUMBER
1/8 HIGH GOTHIC WITH LATEST
REVISION LETTER ON REAR OF PANEL



HOLE DESCRIPTION REQ.
A — 11/64 DIA. — 6

| 1 | KIT 392 | |
|---|---------------|-----------|
| QTY / UNIT | MODEL USED ON | ASS'Y NO. |
| APPLICATION | | |
| CODE | | |
| NOTICE TO PERSONS RECEIVING THIS DRAWING | | |
| THE TECHNICAL MATERIEL CORPORATION claims proprietary right in the material disclosed herein. This drawing is issued in confidence for engineering information only and may not be reproduced or used to manufacture anything shown hereon without permission from THE TECHNICAL MATERIEL CORPORATION to the user. This drawing is loaned for mutual assistance and is subject to recall at any time. | | |

UNLESS OTHERWISE SPECIFIED
DIMENSIONS ARE IN INCHES
AND INCLUDE CHEMICALLY APPLIED
OR PLATED FINISHES

TOLERANCES ON

| | |
|-------------|-----------|
| DECIMALS | FRACTIONS |
| .X ± .05 | ± 1/64 |
| .XX ± .01 | ANGLES |
| .XXX ± .005 | ± 0° -30' |

MATERIAL .051 ALUM
5052 H32

FINISH S404
YEL. IRIDITE

| QTY. REQ. | ITEM | PART NO. | DESCRIPTION | SYMBOL |
|-----------------------------|--------------------|----------|------------------------------|---------|
| F. BUDETTI LIST OF MATERIAL | | | | |
| FINAL APPROVAL | <i>[Signature]</i> | DATE | THE TECHNICAL MATERIEL CORP. | |
| MECH. DES. | <i>[Signature]</i> | DATE | MAMARONECK, NEW YORK | |
| ELECT. DES. | | DATE | COVER, CHASSIS | |
| CHECKED | | DATE | | |
| DRAWN | EVANGELIST | DATE | | |
| SIZE | | | CODE IDENT. NO. | DWG NO. |
| C | | | 82679 | MS6443 |
| SCALE 1:1 | | | SHEET | OF |

MS6443