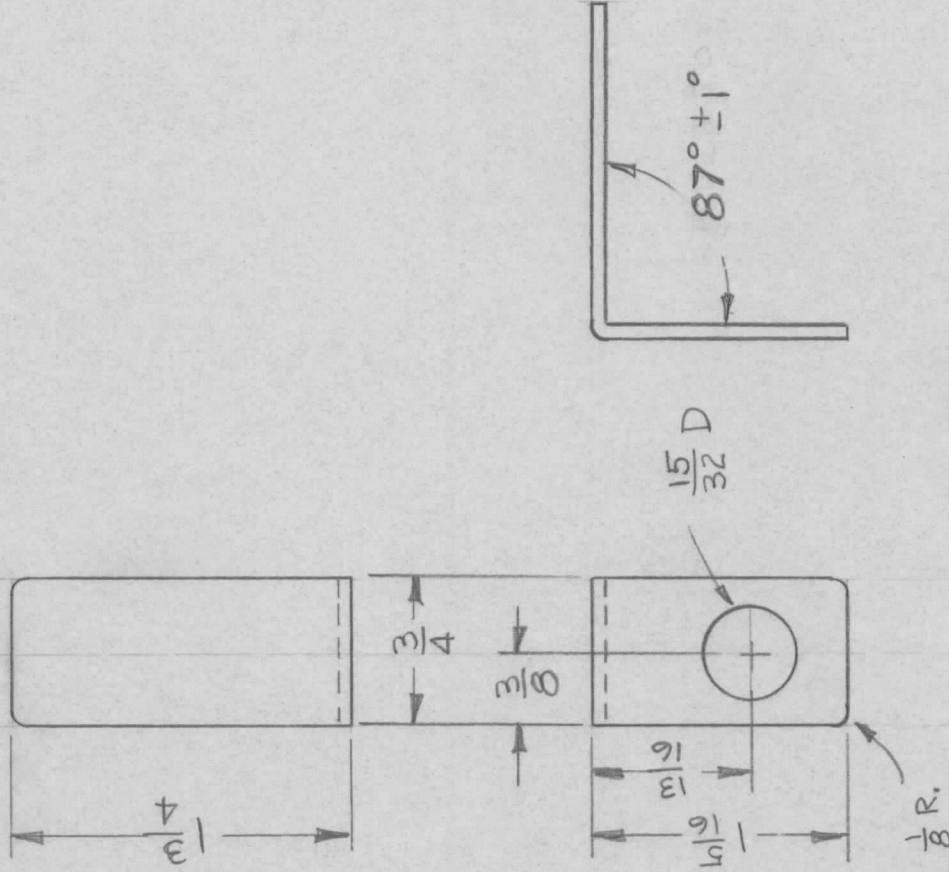


APPLICATION		REVISIONS							
QTY	MODEL USED ON	ASS'Y NO.	LTR	DESCRIPTION	DATE	E.M.N.NO	DRAFT	CHKD	APPD
2	HFL(-)10K/REVA	AX5166	Ø	ORIG RELEASE FOR PROD	1/29/73		Cl.		



REQ'D ITEM	PART NUMBER	DESCRIPTION	SYM.
LIST OF MATERIAL			
THE TECHNICAL MATERIEL CORP. MAMAŘONECK, NEW YORK			
FINAL APPROVAL	DATE		
MECH. DES.	DATE		
ELECT. DES.	DATE		
CHECKED	DATE		
DRAWN	DATE		
MATERIAL .064 ALUM 5252-H32		SIZE	CODE IDENT. NO.
FINISH S404 YEL IRID		A	82679
		SCALE	DWG NO.
			MS6422
		SHEET	OF
			Ø

NOTICE TO PERSONS RECEIVING THIS DRAWING
 THE TECHNICAL MATERIEL CORPORATION claims proprietary right in the material disclosed hereon. This drawing is issued in confidence for engineering information only and may not be reproduced or used to manufacture anything shown hereon without permission from THE TECHNICAL MATERIEL CORPORATION to the user. This drawing is loaned for mutual assistance and is subject to recall at any time.